



C 521BEE

Compact Disc Player



Owner's Manual
Manuel d'Installation
Bedienungsanleitung
Gebruikershandleiding
Manual del Usuario
Manuale delle Istruzioni
Manual do Proprietário
Bruksanvisning

ENGLISH

FRANÇAIS

DEUTSCH

NEDERLANDS

ESPAÑOL

ITALIANO

PORTUGUÊS

SVENSKA



CAUTION: TO REDUCE THE RISK OF ELECTRIC SHOCK, DO NOT REMOVE COVER (OR BACK). NO USER SERVICEABLE PARTS INSIDE. REFER SERVICING TO QUALIFIED SERVICE PERSONNEL.

Warning: To reduce the risk of fire or electric shock, do not expose this unit to rain or moisture.



The lightning flash with an arrowhead symbol within an equilateral triangle, is intended to alert the user to the presence of uninsulated "dangerous voltage" within the product's enclosure that may be of sufficient magnitude to constitute a risk of electric shock to persons.



The exclamation point within an equilateral triangle is intended to alert the user to the presence of important operating and maintenance (servicing) instructions in the literature accompanying the product.



Do not place this unit on an unstable cart, stand or tripod, bracket or table. The unit may fall, causing serious injury to a child or adult and serious damage to the unit. Use only with a cart, stand, tripod, bracket or table recommended by the manufacturer or sold with the unit. Any mounting of the device on a wall or ceiling should follow the manufacturer's instructions and should use a mounting accessory recommended by the manufacturer.

An appliance and cart combination should be moved with care. Quick stops, excessive force and uneven surfaces may cause the appliance and cart combination to overturn.

Read and follow all the safety and operating instructions before connecting or using this unit. Retain this notice and the owner's manual for future reference. All warnings on the unit and in its operating instructions should be adhered to.

Do not use this unit near water; for example, near a bath tub, washbowl, kitchen sink, laundry tub, in a wet basement or near a swimming pool. The appliance should not be exposed to dripping or splashing and no objects filled with liquids, such as vases, should be placed on the apparatus.

The unit should be installed so that its location or position does not interfere with its proper ventilation. For example, it should not be situated on a bed, sofa, rug or similar surface that may block the ventilation openings; or placed in a built-in installation, such as a bookcase or cabinet, that may impede the flow of air through its ventilation openings.

The unit should be situated from heat sources such as radiators, heat registers, stoves or other devices (including amplifiers) that produce heat.

The unit should be connected to a power supply outlet only of the voltage and frequency marked on its rear panel.

The power supply cord should be routed so that it is not likely to be walked on or pinched, especially near the plug, convenience receptacles, or where the cord exits from the unit.

Unplug the unit from the wall outlet before cleaning. Never use benzine, thinner or other solvents for cleaning. Use only a soft damp cloth.

The power supply cord of the unit should be unplugged from the wall outlet when it is to be unused for a long period of time.

Care should be taken so that objects do not fall, and liquids are not spilled into the enclosure through any openings.

This unit should be serviced by qualified service personnel when:

- A. The power cord or the plug has been damaged; or
- B. Objects have fallen, or liquid has been spilled into the unit; or
- C. The unit has been exposed to rain or liquids of any kind; or
- D. The unit does not appear to operate normally or exhibits a marked change in performance; or
- E. The device has been dropped or the enclosure damaged.

Notes on environmental protection



At the end of its useful life, this product must not be disposed of with regular household waste but must be returned to a collection point for the recycling of electrical and electronic equipment. The symbol on the product, user's manual and packaging, point this out.

The materials can be reused in accordance with their markings. Through re-use, recycling of raw materials, or other forms of recycling of old products, you are making an important contribution to the protection of our environment.

Your local administrative office can advise you of the responsible waste disposal point.

DO NOT ATTEMPT SERVICING OF THIS UNIT YOURSELF. REFER SERVICING TO QUALIFIED SERVICE PERSONNEL

Upon completion of any servicing or repairs, request the service shop's assurance that only Factory Authorized Replacement Parts with the same characteristics as the original parts have been used, and that the routine safety checks have been performed to guarantee that the equipment is in safe operating condition. REPLACEMENT WITH UNAUTHORIZED PARTS MAY RESULT IN FIRE, ELECTRIC SHOCK OR OTHER HAZARDS.

ATTENTION

POUR ÉVITER LES CHOC ELECTRIQUES, INTRODUIRE LA LAME LA PLUS LARGE DE LA FICHE DANS LA BORNE CORRESPONDANTE DE LA PRISE ET POUSSER JUSQU'AU FOND.

CAUTION

TO PREVENT ELECTRIC SHOCK, MATCH WIDE BLADE OF PLUG TO WIDE SLOT FULLY INSERT.

If an indoor antenna is used (either built into the set or installed separately), never allow any part of the antenna to touch the metal parts of other electrical appliances such as a lamp, TV set etc.

CAUTION POWER LINES

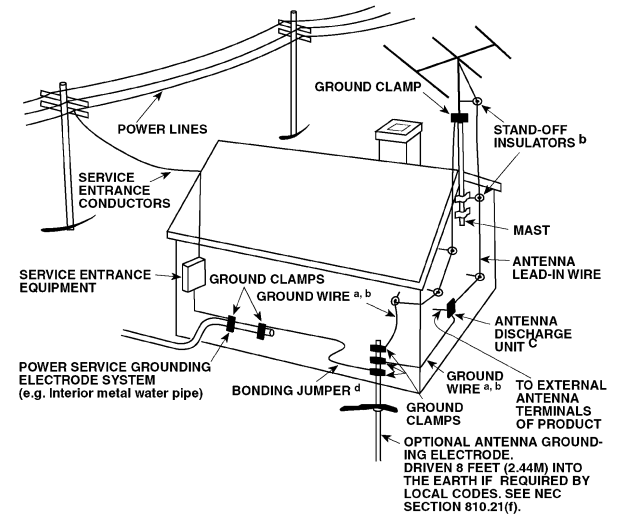
Any outdoor antenna must be located away from all power lines.

OUTDOOR ANTENNA GROUNDING

If an outside antenna is connected to your tuner or tuner-preamplifier, be sure the antenna system is grounded so as to provide some protection against voltage surges and built-up static charges. Article 810 of the National Electrical Code, ANSI/NFPA No. 70-1984, provides information with respect to proper grounding of the mast and supporting structure, grounding of the lead-in wire to an antenna discharge unit, size of grounding conductors, location of antenna discharge unit, connection to grounding electrodes and requirements for the grounding electrode.

- a. Use No. 10 AWG (5.3mm²) copper, No. 8 AWG (8.4mm²) aluminium, No. 17 AWG (1.0mm²) copper-clad steel or bronze wire, or larger, as a ground wire.
- b. Secure antenna lead-in and ground wires to house with stand-off insulators spaced from 4-6 feet (1.22 - 1.83 m) apart.
- c. Mount antenna discharge unit as close as possible to where lead-in enters house.
- d. Use jumper wire not smaller than No.6 AWG (13.3mm²) copper, or the equivalent, when a separate antenna-grounding electrode is used. see NEC Section 810-21 (j).

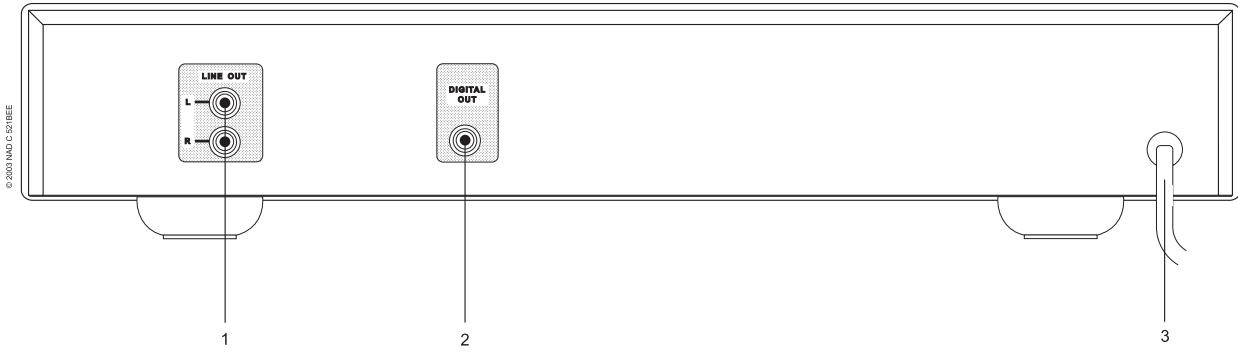
EXAMPLE OF ANTENNA GROUNDING AS PER NATIONAL ELECTRICAL



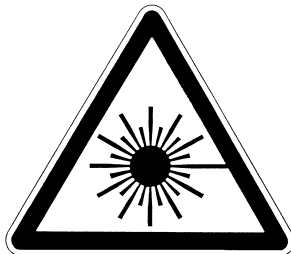
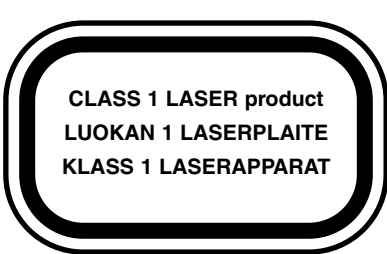
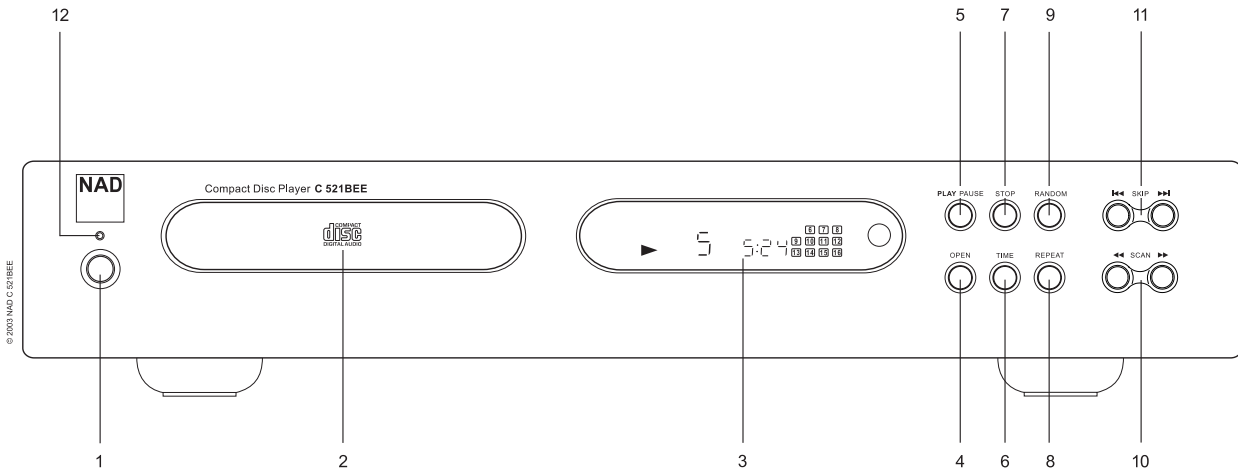
CODE INSTRUCTIONS CONTAINED IN ARTICLE 810 - RADIO AND TELEVISION EQUIPMENT.

NOTE TO CATV SYSTEM INSTALLER: This reminder is provided to call the CATV system installer's attention to Article 820-40 of the National Electrical Code that provides guidelines for proper grounding and, in particular, specifies that the ground cable ground shall be connected to the grounding system of the building, as close to the point of cable entry as practical.

REAR PANEL CONNECTIONS



FRONT PANEL CONTROLS



THIS DIGITAL APPARATUS DOES NOT EXCEED THE CLASS B LIMITS FOR RADIO NOISE EMISSIONS FROM DIGITAL APPARATUS AS SET OUT IN THE RADIO INTERFERENCE REGULATIONS OF THE CANADIAN DEPARTMENT OF COMMUNICATIONS.

LE PRESENT APPAREIL NUMERIQUE N'EMET PAS DE BRUITS RADIOELECTRIQUES DEPASSANT LES LIMITES APPLICABLES AUX APPAREILS NUMERIQUES DE LA CLASSE B PRESCRITES DANS LE REGLEMENT SUR LE BROUILLAGE RADIO ELECTRIQUE EDICTE PAR LE MINISTRE DES COMMUNICATIONS DU CANADA.

WARNING! INVISIBLE LASER RADIATION WHEN OPEN AND INTERLOCKS DEFEATED. AVOID EXPOSURE TO BEAM.

VORSICHT! UNSICHTBARE LASERSTRAHLEN TRITT AUS, WENN DECKEL GEÖFFNET und wenn sicherheitsverriegelung Überbrückt ist. Nicht dem strahl aussetzen.

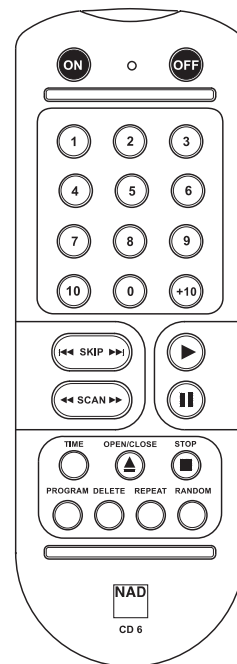
ADVARSEL - USYNLIG LASERSTRÅLING VED ÅBNING, NÅR SIKKERHEDSAFBRYDERE ER UDE AF FUNKTION. UNDGÅ UDSÆTTELSE FOR STRÅLING.

ADVARSEL - USYNLIG LASERSTRÅLING NÅR DEKSEL ÅPNES OG SIKKERHEDSLÅS BRYTES. UNNGÅ EKSPONERING FOR STRÅLEN.

WARNING - OSYNLIG LASERSTRÅLNING NÅR DENNA DEL ÅR ÖPPNAD OCH SPÄRRAR ÅR URKOPPLADE. STRÅLEN ÅR FARLIG.

VARO! - AVATTAESSA JA SUOJALUKITUS OHITETTAESSA OLET ALTTIINA NÄKYMÄTÖNNÄ LASERSÄTEILYLLE. ÄLÄ KATSO SÄTEESEEN.

REMOTE CONTROL



QUICK START

- 1 Connect a twin RCA-to-RCA lead from the L (left) and R (right) Line Output jacks to the corresponding CD inputs on your amplifier.
- 2 Plug in the AC power cord.
- 3 Press the POWER button to turn on the player.
- 4 Press OPEN to open the disc drawer.
- 5 Place a CD, label side up, in the tray's circular recess. Be certain that the disc is centred within the recess.
- 6 Press PLAY/PAUSE. The drawer closes automatically, and the disc begins to play.
- 7 At any time you may press SKIP ►► or ◄◄ to select different tracks on the disc.
- 8 Press PLAY/PAUSE if you want to stop play temporarily while keeping the pickup at its current position on the disc. Press PLAY/PAUSE again when you want to resume playback. Press STOP if you want to end play and reset the pickup to the beginning of the disc.

NOTE ON INSTALLATION

Install the NAD C 521BEE Compact Disc player on a level, vibration-free surface. (Severe vibration, or operation in a tilted position, may cause the player to mis-track.) The player may be stacked with other stereo components, as long as there is adequate ventilation around it. If the player is placed in close proximity to a radio tuner (AM or FM), a VCR, or a television set, the operation of its digital circuits may produce static that would interfere with reception of weak broadcast signals. If this occurs, move the CD player away from other devices or switch it off when viewing or listening to broadcasts.

REAR PANEL CONNECTIONS**1. LINE OUTPUT**

Connect a cable from these jacks to your amplifier. Plug one end of a twin RCA-to-RCA lead into the L (upper) and R (lower) output jacks. Connect the other end of the cable to your stereo amplifier's CD input, or to any other "line-level" input jacks (such as the AUXiliary inputs). Do NOT connect this cable to the amplifier's PHONO input jacks. The RCA sockets on your NAD C 521BEE are colour coded for convenience. Red and White are Right and Left audio respectively, and yellow for Digital Out. Ensure that leads and sockets are not damaged in any way and all sockets are firmly pushed home.

2. DIGITAL OUTPUT

The digital playback signal is available at this output jack. The serial data output is taken after the error correction but before the digital-to-analogue conversion and filtering. The output is transformer-isolated from the built-in D-to-A circuits. It may be connected to any digital signal processor that conforms to the Sony/Philips (SPDIF) standard.

To use the digital output, connect a cable from this jack to the "CD Digital" or equivalent input on a digital processor or recorder. For best results, the cable should be a 75 ohm coaxial cable of the type used for video signals, with an RCA phono plug at each end. (To distinguish them from similar phono-plug cables used for analogue audio signals, video and digital signal cables often are colour-coded with yellow plugs.)

3. AC LINE CORD

Connect this power cord to an AC mains wall outlet or to an AC convenience outlet at the rear of your amplifier.

FRONT PANEL CONTROLS**1. POWER ON/OFF**

Press this button to switch on the power to the disc player. Press again and release to switch the power off. The display will light up to indicate the unit is switched on and ready for use.

2. DISC DRAWER

To play a disc, press the OPEN button to open the disc drawer. Place the CD within the large circular recess in the drawer, with its transparent playing surface facing down. The label must face UP. CD-3 discs (3-inch CD "singles") can be played without the aid of an adapter. Place the disc in the drawer, centered in the smaller circular recess, with its label facing UP.

NOTE: This player was not designed to accommodate a "damping disc" placed on a CD, nor two CDs stacked together. It plays audio CDs and CD-RW, but not discs identified as CD-V, DVD, CD-I, CD-ROM, or PHOTO CD. Refer also to chapter "A note on CD-R and CD-RW audio discs"

3. DISPLAY

The display provides information about playback status and about the optical pickup's location on the disc. The displayed track/time information is obtained by reading inaudible "sub-codes" in the disc.

TRACK NUMBER Each disc is segmented into numbered tracks when the recording is made; typically each numbered track will correspond to a different song, symphonic movement, etc. These track numbers are identified on the CD package and are encoded in the disc by its manufacturer. In some CDs, at the manufacturer's option, tracks may be sub-divided into sections identified by Index numbers. This player does not display Index numbers.

TIME Normally this display shows the time elapsed since the beginning of the current track. Using the TIME button you can switch the display to show the remaining number of tracks and playing time to the end of the disc. When you load a different disc and use the OPEN button (No. 4) to close the disc drawer, the display shows the number of tracks and the total playing time of all the tracks on the disc.

REMAIN REMAIN lights up in the lower-left corner of the display if you have pressed the TIME button to show the remaining number of tracks and time of the disc.

REPEAT 1 "REPEAT" and "1" light up respectively in the centre and upper-left corner during repeat-play of a single track. "REPEAT" and "ALL" light up during repeat-play of the entire program or disc.

RANDOM When the C 521BEE's random mode has been selected, "RANDOM" will be shown in the Display Panel.

CALENDAR DISPLAY TRACK LISTING Displays a list of tracks available on the disc. As each track is played its number is blanked out on the Track Listing, giving a simple indication of how much of the disc has been played and how much remains. The number for the current track being played blinks. The display shows up to 16 numbered tracks.

MEMORY During Program Play or programming for Program Play, MEMORY will light up.

STATUS A right-pointing arrowhead ►, located near the left edge of the time display, lights up during PLAY. Two vertical bars || indicate that the player is in PAUSE. In STOP mode the display reverts to showing the total number of tracks and playing time of the disc.

no disc When no disc is present or when you load a disc that cannot be read (because it is dirty or is upside-down) "no disc" lights up in the display.

REMOTE RECEIVER An infrared sensor, located at the right-hand portion of the display window, receives commands from the remote control. There must be a clear line-of-sight path from the remote control to this window; if that path is obstructed, the remote control may not work.

4. OPEN

Press this button to open the disc drawer, and press it again to close the drawer. If this button is pressed while a disc is being played, playback will stop, the pickup will reset to the beginning of the disc and the drawer will open. Opening the drawer will also delete the player's memory for Program Play. When the disc drawer is open, the drawer-closing mechanism can also be activated by pressing PLAY or by gently pushing the drawer inward.

NOTE: The disc drawer is opened and closed by an internal motor. Do not close the drawer by hand with the power off.

When the drawer closes, the player scans the disc's TOC (Table Of Contents) and displays the total number of tracks and playing time on the disc. If you press PLAY to close the drawer this information is skipped, and play commences immediately at Track 1.

5. PLAY/PAUSE

This dual-function button alternates between starting and stopping playback. Press to start play or to resume play after Pause. During play, press this button to stop playback temporarily, keeping the optical pickup at its current position on the disc. The PLAY mode is identified by a right-pointing arrowhead in the display. The PAUSE mode is identified by two vertical bars **||**. To resume playback at the exact point where it stopped, press PLAY/PAUSE again. If you don't want to resume play at the same point, you may use the SKIP and SCAN controls to cue the pickup to a different starting point before pressing PLAY again.

6. TIME

The TIME button alternates between displaying the elapsed or remaining tracks and time of the disc or program being played. In the default setting, the display will indicate the current track number and time elapsed since the beginning of the track. Press the button once to display the total number of remaining tracks and time of the disc or program being played. Press again to revert to the default, elapsed time display.

7. STOP

Press the STOP button once to stop playback, and re-sets the pickup to the beginning of the disc. The display reverts to showing the number of tracks and total playing time on the disc. If the CD player was programmed to play a selection of tracks, the program will be retained in the player's memory. Pressing STOP a second time will also delete the program. Pressing STOP twice will also disengage Repeat and Random play if these were engaged.

8. REPEAT

This button engages the Repeat Play mode, an endless-repeat cycle. Press the Repeat button once to select the REPEAT 1 mode, in which only the current track is repeated over and over again. Pressing the Repeat button once again selects the REPEAT ALL mode, in which the entire disc is played from beginning to end, over and over again. Press the Repeat button a third time to cancel the repeat cycle and return to normal operation.

The Repeat Play mode can be used in combination with Program and Random Play modes. When the C 521BEE is in Repeat Play mode "REPEAT 1" or "ALL" will be shown in the Display Panel. Repeat Play mode can also be disengaged by pressing the STOP button twice. On the first press of the STOP button, playback will stop, the second press will disengage Repeat Play mode.

9. RANDOM

Engaging the Random Play mode will play all the tracks once on the CD in a random order. From Stop, press first the RANDOM and then the PLAY/PAUSE button to engage Random Play mode. During normal playback the Random Play mode can also be engaged by pressing the RANDOM button. The current track will stop playing and the first randomly selected track will commence.

The Random Play mode can be used in combination with the Repeat Play All mode but not with Program Play mode. When the C 521BEE is in Random mode "RANDOM" will be shown in the Display Panel. Press the RANDOM button again to cancel Random Play mode and return to normal Play mode. Random Play mode can also be disengaged by pressing the STOP button twice. On the first press of the STOP button, playback will stop, the second press will disengage Random Play mode.

10. SCAN ◀◀ ▶▶

The SCAN ◀◀ button causes the optical pickup to scan backward through the recording at high speed. This button works only while the player is in PLAY or PAUSE. After a STOP command, or after loading a new disc, you must press PLAY before the scan circuit will work. If Scan is initiated while the player is in PAUSE the scan is silent; if initiated during PLAY the music will be heard in fragmentary form at reduced volume as the player scans through it. For the first approximately 50 seconds of a track, scanning will be at around 3 times the speed, after which scanning speed increases to around 15 times faster than normal playing speed.

Use this "audible scan" to cue the player precisely to the spot where you want to resume play. If you scan back to the beginning of the disc while playing Track 1, the player automatically reverts to normal playback.

The SCAN ▶▶ button causes the optical pickup to scan rapidly forward through the music. The behaviour of this function is similar to SCAN ◀◀. If you scan forward to the end of the disc while playing the final track, the scan will stop and the Time display will show the table of contents. (There is no "wrap-around" mode.)

11. SKIP ◀◀ ▶▶

During playback, press the SKIP ◀◀ button once to skip back to the beginning of the current track. Press SKIP ◀◀ twice in rapid succession to skip back to the previous track or previous programmed track in Program Play mode, once to reach the beginning of the current track and again to jump to the previous track. When pressing continuously, the player will skip to previous tracks repeatedly, concluding at the beginning of the disc (Track 1) or the first track programmed in Program Play mode.

During playback, press the SKIP ▶▶ button once to skip to the beginning of the next track on the disc or next programmed track in Program Play mode. Thus, to sample each song, press PLAY and then tap SKIP after you've heard a few seconds of each track. From Stop, press the SKIP ▶▶ button until you've reached the track from where you want to start playback. Press Play to start playback.

12. STAND-BY INDICATOR

The stand-by indicator turns on in green when the unit is switched on, and changes to amber when switched to stand-by mode.

REMOTE CONTROL

A wireless remote control is provided with your compact disc player, enabling you to operate play-back functions from the comfort of your chair or from virtually anywhere in the room. For reliable operation there should be a clear line-of-sight path from the remote control to the front of the CD player. If the player does not respond to remote commands, it may be that this line-of-sight path is obstructed by clothing, paper, or furnishings.

Most of the buttons on the remote control handset have the same effect as the corresponding buttons on the front panel of the disc player. In addition the handset is equipped with some extra buttons and functions, such as the numeric keypad and Program functions.

POWER ON

Press the Green button to switch on the power to the disc player from stand-by mode. The LED will change from amber to green, and the display will illuminate.

POWER OFF

Press this red button to switch to stand-by mode from power on mode. The LED will change from green to amber and the display will go dark.

NUMERIC KEYPAD

Using the direct-entry numeric keypad (1 to 10; +10) causes the player to jump directly to the beginning of a numbered track and commence play. Thus to play Track 5, simply press 5. To play Track 20, press: +10, 10. To play Track 36, press: +10, +10, +10, 6.

PROGRAM

The C 521BEE CD player allows for programmed playback of up to 20 tracks in any desired order. To engage Program Play with your desired track sequence in the memory:

- 1 Press PROGRAM. The "MEMORY" indicator will light up. The display indicates "Pr p:01", meaning that the player is awaiting the first Program entry.
- 2 Use the SKIP or the Direct-Entry Numeric keypad buttons to select the first track in your planned sequence. The selected track number will blink in the display.
- 3 Press PROGRAM to store the selected track number in memory. The display will revert to show Program-Entry mode and advance to "Pr p:02", showing that the player is ready for your second entry.
- 4 Repeat Steps 2 and 3 to select and store other track numbers in memory, up to a maximum of 20 entries. The display will show "FULL" when 20 tracks have been entered.
- 5 If you want to review or edit your program entries, press PROGRAM repeatedly to cycle the display through them. When the highest program number is displayed, you can enter additional tracks in the memory by repeating Steps 2 and 3.
- 6 To play the stored program, press PLAY. "MEMORY" will appear in the display, indicating that a stored program is being played. During Program Play the SKIP buttons will access only the tracks in the program list. So if you want to play only a portion of a stored program, initiate play and press SKIP ▶▶ to jump over the programmed tracks that you don't want to hear.
- 7 To terminate program play, press STOP. However the stored track list remains in memory; if you want to play the program again, simply press PLAY again. If you want to edit the program, press PROGRAM repeatedly to review the list and change. To add tracks, press the PROGRAM button until the highest program number is displayed.
- 8 To clear the program memory, press STOP, OPEN/CLOSE to open the drawer, or switch off the POWER.

The following example presents a step-by-step illustration of how to program and start Program Play to play tracks 5, 23, 9, 16, and 1.

While the CD player is stopped:

Press on remote control	Display shows
PROGRAM	Pr p:01
5	5 p:01
PROGRAM	Pr p:02
+10, +10, 3	23 p:02
PROGRAM	Pr p:03
9	9 p:03
PROGRAM	Pr p:04
+10, 6	16 p:04
PROGRAM	Pr p:05
1	1 p:05
PROGRAM	Pr p:06
PLAY	

DELETE

The C 521BEE CD Player allows the user to delete unwanted tracks in any desired order in either the Program Mode or the Stop Mode. To Delete tracks, use the sequence of commands below.

In Program Mode:

- 1 Press DELETE. The display indicates "dE d:01"; the player is now ready for first Delete entry. "dE" will change to first memory track after 1 second.
- 2 Use the **◀◀ SKIP** & **SKIP ▶▶** buttons to select the first track you would like to delete. The track number will flash.
- 3 Press DELETE again to store the selected track number in memory. The selected track number will be deleted in the display. The display will advance to next location. This showing that the player is ready for your second entry but cannot delete track above track 25.
- 4 Repeat Steps 2 and 3 to select the delete the track numbers in memory, up to a maximum of 20 entries.
- 5 To play the stored program, just press PLAY. During playing, the SKIP buttons will access only the tracks still listed. The deleted songs are not listed.
- 6 To clear the memory, press STOP twice ,OPEN/CLOSE to open the drawer, or switch off the power.

In Stop Mode:

- 1 Press DELETE. The display indicates "dE d:01" with total track time. The player is ready for the first Delete entry.
- 2 Use the Direct-Entry Numeric keypad buttons to select the first track you would like to delete. The selected track number will be deleted in the calendar display and the updated total playing time is shown on display.
- 3 Repeat Steps 2 to select the track numbers you would like to delete, up to a maximum of 25 entries but cannot delete track above track 25.
- 4 To play the remaining tracks, just press PLAY. During playing, the SKIP buttons will access only the tracks still listed. The deleted songs are not listed.
- 5 To clear the memory, press STOP, OPEN/CLOSE to open the drawer, or switch off the power.

The Calendar display will indicate remaining track listing. After completing playback, the C 521BEE will automatically stop, and the display will again show all the tracks contained on the inserted CD.

NOTE: In the Program-entry mode, the SKIP **◀◀** and **▶▶** buttons have a "wrap-around" function: if you SKIP Back **◀◀** repeatedly from Track 01, the number counts down from the final track on the disc. This provides a convenient way to select high-numbered tracks.

INSTALLING AND REPLACING BATTERIES

The remote control requires two 1.5-volt AAA-size (i.e. UM-4 or IEC RO3) cells. Alkaline cells are recommended, to obtain maximum operating life. To open the battery compartment, place your fingertip in the recess on the rear of the remote control, push against the flexible edge of the battery cover and lift the cover upwards. Install fresh cells, orienting them as shown on the diagram within the compartment.

The coil springs should contact the (-) end of each cell. Push the battery compartment cover back and press gently until it latches. In some cases, corrosion or fingerprint oil on the battery contacts may cause poor operation. Remove both cells, rub the metal contacts at both ends of each cell with a clean cloth or a pencil eraser, and re-install the cells, being careful to orient them correctly.

CD-R & CD-RW AUDIO DISCS

The C 521BEE can play back CD-R & CD-RW audio discs that have been recorded on a computer or CD-recorder. The quality of CD-R audio discs varies widely which may affect playability.

Some factors that affect playability:

- The quality of the disc itself. Generally speaking, CD-R & CD-RW blanks from well-renowned companies give better results than unbranded ones.
- The quality of CD-recorder or computer CD re/writer. Some recorders and writers produce better results than others.
- The CD-R & CD-RW was created with high-speed writing. In general, the quality of a CD-R & CD-RW is better when produced at a lower speed against a higher speed on the same recorder or re/writer.

DISC PLAYABILITY

This CD Player is designed to play musical program material only, on CD, CD-R, and CD-RW discs recorded in the 16 bit 44.1 kHz PCM Compact Disc format. It is not designed to play any other disc format, or discs with data or pictures.

WARNING: Attempting to play discs with non-musical programs may result in damage to your playback system.

MAINTENANCE

At periodic intervals, open the disc drawer and wipe with a damp cloth to remove any loose dust.

HANDLING COMPACT DISCS

Handle Compact Discs with care. The playback of a disc will not be impaired by small dust particles, a few light fingerprints, or slight scratches. But large scratches, or a thick layer of oily fingerprints, can prevent the player from tracking the disc. (Incidentally, although the tracking optical pickup "plays" the disc through its clear side, the actual data surface is embedded directly beneath the label, protected only by a very thin coating of lacquer. So a scratch that cuts through the label may damage the disc more than a similar scratch on the transparent "playing" surface. Thus you should treat both surfaces of the disc with care.) Severe scratches or fingerprints may cause the player to mis-track (skipping ahead, or repeating the same passage). Less severe damage may produce very brief bursts of high-frequency noise. The tracking and error-correction circuits of this NAD CD player are unusually sophisticated, providing secure tracking of flawed discs that are unplayable on some other players. Nevertheless, the discs should not be abused or handled carelessly. For best results, grasp the disc only by its edges.

CLEANING DISCS

Soiled discs may be cleaned by wiping with a soft cloth, either dry or moistened, with water. Do NOT use conventional LP record-cleaning products (cleaning solutions, sprays, treated cloths, or anti-static preparations), nor any kind of chemical solvent (alcohol, benzene, etc). A severely soiled disc may be washed in a warm-water spray, possibly with a small amount of a mild kitchen detergent added, and then wiped dry with a clean, soft towel.

When cleaning the disc, use only RADIAL strokes (from centre to edge). Never use a circular wiping motion like that used for cleaning ordinary LP records, because in wiping the disc there is a risk of scratching it. A radial scratch will do the least harm because it affects only a small portion of each circular data track, which can be fully compensated by the player's error-correction circuits. But a circular scratch that follows a data track may damage such a long continuous segment of data that it cannot be corrected.

ABOUT THE OPTICAL PICKUP

The Compact Disc player uses a solid-state semi-conductor diode laser, mounted on a tracking servo-mechanism, to play the disc. The laser illuminates the track of microscopic pits representing the digital data bits, while photo-diodes detect the reflected illumination from the disc and convert it into an electronic signal which is then decoded to recover the musical waveform in each stereo channel.

You cannot see the laser operating, because it operates at wavelength of 7800 Angstroms, which is in the infrared and thus invisible to the human eye.

The Compact Disc player is completely safe for children to use. The laser operates at very low power and is concealed within the player mechanism. Even when the player is disassembled, the laser remains sealed within an optical system that causes its light to focus only 1 millimeter from the lens and then diverge rapidly, reducing its intensity to negligible levels.

TROUBLESHOOTING		
SYMPTOM	POSSIBLE CAUSE	SOLUTION
No Power when the POWER button is set to ON	<ul style="list-style-type: none"> Poor or no power plug connection at the AC outlet 	<ul style="list-style-type: none"> Insert the power plug firmly into the AC outlet.
Disc play does not start	<ul style="list-style-type: none"> The disc is loaded upside down The disc is too dirty 	<ul style="list-style-type: none"> Reload the disc with the label side UP Clean the disc
No sound	<ul style="list-style-type: none"> Incorrect audio cable connections Incorrect amplifier/receiver operation 	<ul style="list-style-type: none"> Connect the CD player to the amplifier/receiver correctly Make sure that the input selector on your amplifier or receiver is set to CD
Sound skips	<ul style="list-style-type: none"> The CD player is subject to vibration or physical shock from external sources 	<ul style="list-style-type: none"> Change the installation location
Remote control does not work	<ul style="list-style-type: none"> Batteries in Remote Control handset have expired Object obscuring remote sensor on the player 	<ul style="list-style-type: none"> Replace batteries Remove any objects directly in front of the player
A "humming" sound can be heard	<ul style="list-style-type: none"> Loose cable connections 	<ul style="list-style-type: none"> Check the cable connections, particularly the phono connecting cables

MISE EN MARCHÉ RAPIDE

- 1 Connectez un câble RCA-RCA double entre les jacks de Sortie Ligne [Line Output] gauche [L] et droite [R] et les entrées CD correspondantes de votre amplificateur.
- 2 Branchez le cordon d'alimentation secteur.
- 3 Appuyez sur le bouton-poussoir de Mise Sous Tension [POWER] pour mettre le lecteur sous tension.
- 4 Appuyez sur Ouverture [OPEN] pour ouvrir le plateau à disques.
- 5 Posez un CD, étiquette vers le haut, dans le logement circulaire du plateau. Faites attention de bien centrer le disque dans le logement.
- 6 Appuyez sur Lecture/Pause [PLAY/PAUSE]. Le plateau se ferme automatiquement et la lecture du disque commence.
- 7 Il est possible, à tout moment, d'appuyer sur Saut Avant ou Arrière [SKIP ►► ou ◀◀] pour sélectionner différentes pistes sur le disque.
- 8 Appuyez sur Lecture/Pause [PLAY/PAUSE] pour arrêter provisoirement la lecture, tout en maintenant la tête de lecture à sa position actuelle sur le disque. Appuyez à nouveau sur Lecture/Pause [PLAY/PAUSE] lorsque vous voulez reprendre la lecture. Appuyez sur Arrêt [STOP] pour arrêter la lecture et remettre la tête de lecture au début du disque.

NOTES CONCERNANT L'INSTALLATION

Posez le lecteur de Compact Disc sur une surface horizontale et exempte de vibrations. (D'importantes vibrations ou un fonctionnement en position inclinée sont susceptibles d'entraîner des sauts de pistes). Le lecteur peut être empilé avec d'autres modules d'une chaîne stéréo, à condition qu'il y ait une bonne ventilation tout autour. Si le lecteur est placé très près d'un tuner radio (AM ou FM), d'un magnétoscope ou d'un poste de télévision, l'électricité statique générée par ses circuits numériques pourrait affecter la réception des signaux d'émissions faibles. Si cela se produit, éloignez le lecteur CD des autres dispositifs, ou mettez le hors tension lors de la réception d'émissions.

BRANCHEMENTS SUR LA PANNEAU ARRIERE

1. SORTIE LIGNE

Connectez un câble entre ces jacks et votre amplificateur. Branchez l'une des extrémités d'un câble RCA-RCA double sur les jacks de sortie Gauche (en haut) et Droit (en bas). Connectez l'autre extrémité du câble sur l'entrée CD de votre amplificateur stéréo, ou à tout autre jack de "niveau ligne" (entrées AUX par exemple). NE CONNECTEZ PAS ce câble aux jacks d'entrée PHONO de l'amplificateur.

Pour vous faciliter la tâche, les bornes RCA de votre NAD C 521BEE sont codées couleur. Rouge pour l'audio droite, Blanc pour l'audio gauche, et Jaune pour la Sortie Numérique [Digital Out]. Vérifiez que les câbles et les connecteurs ne présentent aucune détérioration, et que tous les connecteurs sont bien enfoncés jusqu'en butée.

2. SORTIE NUMERIQUE

Le signal de lecture numérique est accessible au niveau de ce jack de sortie. Le signal de sortie des données série est prélevé après le circuit de correction des erreurs, mais avant la conversion numérique-analogique et le filtrage. La sortie est isolée des circuits N/A internes par un transformateur. Cette sortie pourra être reliée à n'importe quel processeur de signaux numériques conforme à la norme Sony/Philips (SPDIF).

Pour utiliser la sortie numérique, connectez un câble entre ce jack et l'entrée "CD Numérique" (ou équivalent) d'un processeur ou d'un enregistreur numérique. Pour obtenir les meilleurs résultats, le câble utilisé devra être un câble coaxial 75 ohms, du type utilisé pour les signaux vidéo RCA, équipé d'un connecteur RCA phono aux deux extrémités. (Pour distinguer ces câbles des autres câbles phono similaires, utilisés pour les signaux audio analogiques, les câbles des signaux vidéo et numériques sont souvent repérés par des connecteurs jaunes).

3. CORDON D'ALIMENTATION SECTEUR

Branchez ce cordon à une prise murale secteur ou à une prise commutée à l'arrière de votre amplificateur.

COMMANDES SUR LA FACE PARLANTE

1. ALIMENTATION MARCHÉ/ARRÉT [ON/OFF]

Appuyez sur ce bouton-poussoir pour mettre le lecteur de disques sous tension. L'affichage s'allume pour indiquer que l'appareil est sous tension et qu'il est prêt à fonctionner. Pour couper l'alimentation du lecteur, réappuyez sur ce bouton-poussoir puis relâchez le.

2. PLATEAU A DISQUE

Pour écouter un disque, ouvrez le plateau à disques en appuyant sur le bouton d'Ouverture [OPEN]. Placez le CD dans le grand logement circulaire du plateau, sa surface de lecture transparente vers le bas. L'étiquette doit être sur la face SUPERIEURE. Il est possible de lire les disques CD-3 (CD "singles" petit format) sans avoir à utiliser un adaptateur. Placez le disque sur le plateau en le centrant dans le petit logement circulaire, l'étiquette sur la face SUPERIEURE.

NOTA: Ce lecteur n'a pas été conçu pour être utilisé avec un "disque d'amortissement" placé sur un CD, ni avec deux CD l'un sur l'autre. Il est capable de lire les CD audio et les CD-RW, mais pas les disques repérés comme CD-V, DVD, CD-I, CD-ROM ou PHOTO CD. Reportez-vous aussi au chapitre "Note concernant les disques audio CD-R et CD-RW".

3. AFFICHAGE

L'affichage fournit des informations concernant l'état de lecture et la position de la tête de lecture optique sur le disque. Les informations de piste/temps affichées sont obtenues par la lecture d'informations inaudibles appelées "sous-codes" enregistrées sur le disque.

NUMERO DE PISTE [TRACK NUMBER] Lors de son enregistrement, chaque disque est divisé en pistes numérotées : en principe, chaque piste numérotée correspondra à une chanson ou à un mouvement symphonique différents, etc ... Ces numéros de piste, codés sur le disque par le fabricant, sont identifiés sur l'emballage du CD. Sur certains CD, en fonction des souhaits du fabricant, les pistes peuvent être subdivisées en sections identifiées par des indices. Ce lecteur de Compact Disc n'affiche pas les indices.

TEMPS [TIME] En principe, cet affichage indique le temps écoulé depuis le début de la piste actuelle. En appuyant sur le bouton de Temps [TIME], il est possible d'obtenir l'affichage du nombre de pistes restantes et du temps restant jusqu'à la fin du disque. Lorsque vous chargez un disque différent et que vous utilisez le bouton d'Ouverture [OPEN] pour fermer le plateau à disque, l'affichage indique le nombre de pistes sur le disque et le temps total de lecture de l'ensemble de ces pistes.

RESTANT [REMAIN] Le témoin Restant [REMAIN] s'allume dans le coin inférieur gauche de l'affichage si vous avez appuyé sur le bouton de Temps [TIME] pour indiquer le nombre de pistes et le temps restant sur le disque.

REPETITION 1 [REPEAT 1] Répétition [REPEAT] et 1 s'allument respectivement au centre et dans le coin supérieur gauche, pendant la lecture à répétition d'une seule piste. Répétition [REPEAT] et Toutes [ALL] s'allument pendant la lecture à répétition de la totalité d'un programme ou du disque.

LECTURE ALÉATOIRE Lorsque le mode de lecture aléatoire du C 521BEE a été sélectionné, le mot Aléatoire [RANDOM] apparaît sur l'affichage.

AFFICHAGE DE LA LISTE CHRONOLOGIQUE DES PISTES [TRACK LISTING] Cette fonction affiche une liste des pistes disponibles sur le disque. Au fur et à mesure de la lecture de chaque piste, le numéro correspondant disparaît de la Liste des Pistes [Track Listing], ce qui permet de savoir, d'un seul coup d'œil, quelle proportion du disque a déjà été lue et la proportion restante. Le numéro de la piste en cours de lecture clignote. Cette fonction affiche jusqu'à 16 pistes numérotées.

MEMOIRE [MEMORY] Pendant une lecture programmée, ou bien lors de la programmation d'une lecture programmée, le mot Mémoire [MEMORY] s'allume.

ETAT [STATUS] Une flèche vers la droite ► située près du bord gauche de l'affichage du temps, s'allume en mode Lecture [PLAY]. Deux barres verticales || indiquent que le lecteur est en mode PAUSE. En mode Arrêté [STOP], l'affichage revient à l'indication du nombre de pistes et du temps total de lecture du disque.

no DISC (pas de disque dans le lecteur) "no DISC" s'allume sur l'affichage si aucun disque ne se trouve sur le plateau, ou bien si le disque chargé sur le plateau est illisible (parce qu'il est sale ou que vous l'avez inséré à l'envers).

RECEPTEUR DE TELECOMMANDE Un capteur infrarouge, situé dans la partie droite de la fenêtre d'affichage, reçoit les commandes en provenance de la télécommande. L'espace entre la télécommande et le récepteur doit être dégagé de tout obstacle, sinon la télécommande risque de ne pas fonctionner.

4. OUVERTURE [OPEN]

Appuyez sur ce bouton pour ouvrir le plateau du disque, puis appuyez de nouveau pour le refermer. En cas d'impulsion sur ce bouton lors de la lecture d'un disque, la lecture s'arrête, la tête de lecture se replace au début du disque, et le plateau s'ouvre. Le fait d'ouvrir le plateau efface aussi la mémoire du lecteur, dans laquelle vous avez enregistré les informations de Lecture Programmée. Lorsque le plateau à disque est ouvert, on peut aussi activer le mécanisme de fermeture en appuyant sur Lecture [PLAY], ou en poussant doucement le plateau dans le sens de la fermeture.

NOTA: L'ouverture et la fermeture du plateau à disque se font à l'aide d'un moteur interne. Ne fermez jamais le plateau manuellement lorsque l'alimentation électrique est coupée.

Lorsque le plateau se referme, le lecteur balaye la "table des matières" du disque et affiche le nombre total de pistes et le temps total de lecture. Si le plateau a été fermé en appuyant sur "Lecture" [PLAY], le lecteur ne réalise pas cet affichage mais passe directement à la Piste 1, qu'il lit aussitôt.

5. LECTURE/PAUSE [PLAY/PAUSE]

Ce bouton à deux fonctions permute entre les modes lecture et pause. Appuyez sur ce bouton pour démarrer la lecture ou pour reprendre la lecture après une Pause. Pendant la lecture, appuyez sur ce bouton pour arrêter temporairement la lecture, tout en maintenant la tête de lecture à l'endroit où elle se trouve sur la surface du disque. Pour reprendre la lecture à l'endroit exact où se trouvait la tête au moment de la pause, appuyez à nouveau sur Lecture/Pause [PLAY/PAUSE]. Si vous ne souhaitez pas reprendre la lecture au même endroit, il vous est possible d'utiliser des commandes de Saut [SKIP] et de Recherche [SCAN] pour placer la tête de lecture à un endroit différent, avant d'appuyer à nouveau sur le bouton de Lecture/Pause [PLAY/PAUSE].

6. TEMPS [TIME]

Le bouton de Temps [TIME] permet d'afficher le numéro de la piste en cours de lecture et le temps écoulé depuis le début de cette piste (Affichage par défaut), ou le nombre de piste restant à lire sur le disque ou dans la séquence programmée et leur temps total (Affichage alternatif). A partir de l'affichage par défaut, appuyez sur le bouton de Temps [TIME] pour obtenir l'affichage alternatif. Appuyez à nouveau sur le bouton Temps [TIME] pour revenir à l'affichage par défaut.

7. ARRÊT [STOP]

Le fait d'appuyer une fois sur le bouton d'Arrêt [STOP] arrête la lecture et réinitialise la tête de lecture au début du disque. L'afficheur revient à l'affichage du nombre de pistes et du temps total de lecture sur le disque. Si vous aviez programmé le lecteur CD pour lire une sélection de pistes, le programme sera conservé dans la mémoire du lecteur. Une deuxième impulsion sur Arrêt [STOP] permet d'effacer le programme. La deuxième impulsion sur Arrêt [STOP] annule aussi les fonctions de Répétition et de Lecture Aléatoire, si vous les aviez sélectionnés.

8. REPETITION [REPEAT]

Ce bouton active la lecture en mode Répétition, autrement dit un cycle de répétition sans fin. Une seule impulsion sur le bouton de Répétition [REPEAT] active le mode de "Répétition 1" [REPEAT 1], dans lequel seule la piste en cours est répétée continuellement. Une deuxième impulsion sur Répétition [REPEAT] active le mode de Répétition toutes [REPEAT ALL], dans lequel c'est l'ensemble du disque qui est repassé en continu, du début à la fin. Une troisième impulsion sur Répétition [REPEAT] annule le mode de répétition et rétablit le fonctionnement normal.

Le mode de Lecture à Répétition peut être utilisé en combinaison avec les modes Lecture Programmée et Lecture Aléatoire. Lorsque le C 521BEE est en mode de Lecture à Répétition, "REPEAT" et "1" ou "ALL" seront visibles sur le Panneau d’Affichage. Le mode de Lecture à Répétition peut aussi être annulé en appuyant deux fois sur le bouton d’Arrêt [STOP]. A la première impulsion sur STOP, la lecture s’arrête ; la deuxième impulsion annule le mode de Lecture à Répétition.

9. LECTURE ALEATOIRE [RANDOM]

Le fait d’activer le mode de Lecture Aléatoire [RANDOM] entraîne la lecture de toutes les pistes du CD dans un ordre aléatoire. A partir du mode "Arrêt" [STOP], appuyez d’abord sur le bouton de Lecture Aléatoire [RANDOM] puis sur le bouton de Lecture/Pause [PLAY/PAUSE] pour activer le mode de Lecture Aléatoire [RANDOM]. Il est possible, aussi, d’engager le mode de Lecture Aléatoire pendant la lecture normale. Il suffit, pour cela, d’appuyer sur le bouton Lecture Aléatoire [RANDOM] ; la lecture de la piste en cours s’arrête, une piste est choisie au hasard par l’appareil, puis la lecture reprend aussitôt.

Le mode de Lecture Aléatoire peut aussi être utilisé avec le mode de Répétition de Lecture de Toutes les pistes, mais n’est pas compatible avec le mode de Lecture Programmée. Lorsque le C 521BEE est en mode de Lecture Aléatoire, le mot "RANDOM" est visible sur le panneau d’affichage. Appuyez à nouveau sur le bouton de Lecture Aléatoire [RANDOM] pour annuler la Lecture Aléatoire et revenir en mode de Lecture normale. Le mode de Lecture Aléatoire peut aussi être annulé en appuyant deux fois sur le bouton d’Arrêt [STOP]. A la première impulsion sur STOP, la lecture s’arrête ; la deuxième impulsion annule le mode de Lecture Aléatoire.

10. RECHERCHE [SCAN] ◀▶▶▶

Le bouton de Recherche Arrière [SCAN ◀▶▶▶] oblige la tête de lecture optique à lire l’enregistrement en arrière à grande vitesse. Ce bouton ne fonctionne que lorsque le lecteur est en mode de Lecture [PLAY] ou PAUSE. Après une commande d’Arrêt [STOP], ou après avoir chargé un nouveau disque, il est nécessaire d’appuyer sur Lecture [PLAY] avant que le circuit de recherche ne puisse fonctionner. Si la recherche est activée alors que le lecteur est en mode PAUSE, la recherche se fait dans le silence ; si elle est activée alors que le lecteur est en mode de Lecture [PLAY], la musique s’entend sous une forme fragmentée et à un volume réduit, au fur et à mesure que le lecteur effectue la recherche rapide. Pendant les 50 premières secondes (environ) de recherche, la lecture se fera à environ 3 fois la vitesse de lecture normale, après quoi la vitesse de recherche passe à environ 15 fois la vitesse de lecture normale.

Utilisez cette "recherche audible" pour positionner la tête de façon précise, à l’endroit où vous souhaitez reprendre la lecture.

Si vous effectuez une recherche arrière jusqu’au début du disque pendant la lecture de la Piste 1, le lecteur revient automatiquement en mode de lecture normale.

Le bouton de Recherche Avant [SCAN ▶▶▶▶] oblige la tête de lecture optique à lire l’enregistrement en avant à grande vitesse. Le comportement de cette fonction est similaire à celui de la Recherche Arrière [SCAN ◀▶▶▶]. Si vous effectuez une recherche avant jusqu’à la fin du disque pendant la lecture de la dernière piste, la recherche s’arrête et l’affichage de Temps indique la table des matières. (Aucun mode de "rebouclage" n’est prévu).

11. SAUT [SKIP] ◀◀▶▶

Pendant la lecture normale, appuyez sur le bouton de Saut Arrière [SKIP ◀◀] pour faire sauter la tête de lecture en arrière jusqu’au début de la piste en cours de lecture. Appuyez deux fois rapidement sur [SKIP ◀◀] pour revenir au début de la piste précédente sur le disque ou au début de la piste précédente de la séquence programmée (la première impulsion ramène la tête de lecture au début de la piste en cours de lecture et la seconde impulsion la ramène au début de la piste précédente. Une pression continue sur ce bouton fait sauter successivement les pistes, pour ramener la tête de lecture au début du disque (Piste 1), ou jusqu’au début de la première piste programmée dans le cas du mode de Lecture Programmée.

Pendant la lecture, appuyez une fois sur le bouton de Saut Avant [SKIP ▶▶] pour sauter jusqu’au début de la piste suivante du disque, ou de la séquence programmée si le lecteur est en mode de Lecture Programmée. De cette façon, pour écouter un échantillon de chaque chanson sur un disque, il suffit d’appuyer sur Lecture [PLAY], puis d’appuyer sur Saut Avant [SKIP ▶▶] après avoir écouté quelques secondes de chaque piste.

En mode Arrêté [Stop], appuyez sur le bouton de Saut Avant [SKIP ▶▶] autant de fois que nécessaire pour arriver au début de la piste à partir de laquelle vous souhaitez commencer la lecture. Appuyez ensuite sur Lecture [Play] pour commencer la lecture.

12. LED VEILLE [STAND-BY]

Cette LED verte s’allume lorsque le lecteur est en MARCHE [ON] ; elle devient ORANGE en mode VEILLE.

TELECOMMANDE

Une télécommande sans fil est fournie avec votre lecteur de Compact Disc, vous permettant de commander les fonctions de lecture depuis votre fauteuil ou depuis à peu près n’importe quel endroit de la pièce. Pour que le fonctionnement soit fiable, aucun obstacle ne doit se trouver entre la télécommande et l’avant du lecteur de CD. Si le lecteur ne réagit pas aux commandes à distance, vérifiez l’absence d’obstructions comme des vêtements, du papier ou des meubles.

La plupart des boutons de la télécommande ont la même action que les boutons correspondants sur la face parlante du lecteur de disques. La télécommande comporte aussi quelques boutons et fonctions supplémentaires, comme le clavier numérique et les fonctions de Programmation.

MARCHE [POWER ON]

Appuyez sur ce bouton Vert pour mettre le lecteur de disques sous tension à partir du mode Veille. Cette LED passe d’Orange à Vert et l’affichage EFL s’allume.

ARRÊT [POWER OFF]

Appuyez sur ce bouton Rouge pour passer en mode Veille depuis le mode MARCHE. Cette LED passe de Vert à Orange et l’affichage EFL s’éteint.

CLAVIER NUMERIQUE

L'utilisation du clavier numérique à entrée directe (1 à 10 ; +10) permet de faire sauter la tête de lecture directement au début d'une piste numérotée, endroit à partir duquel la lecture commencera aussitôt. Ainsi, pour écouter la Piste 5 par exemple, il suffit d'appuyer sur le "5". Pour écouter la Piste 20, appuyez sur +10 puis sur 10 ; Pour écouter la Piste 36, appuyez sur +10, +10, +10 puis 6.

PROGRAMMATION

Le lecteur de CD C 521BEE permet la lecture programmée des pistes (jusqu'à 20) dans n'importe quel ordre. Pour engager le mode de Lecture Programmée, votre séquence de lecture des pistes étant en mémoire, procédez de la manière suivante :

- 1 Appuyez sur Programme [PROGRAM]. Le mot Mémoire [MEMORY] s'allume. L'affichage indique "Pr p:01", ce qui veut dire que le lecteur attend la première entrée du Programme.
- 2 Utilisez les boutons de Saut [SKIP] ou les boutons d'Entrée Directe du Clavier Numérique pour sélectionner la première piste de votre séquence de lecture programmée. Le numéro de piste choisi clignote sur le panneau d'affichage.
- 3 Appuyez sur Programme [PROGRAM] pour stocker le numéro de piste souhaitée en mémoire. L'affichage revient en mode d'affichage Programme-Entrée et s'est avancé à "Pr p:02", ce qui indique que le lecteur est prêt pour la deuxième entrée.
- 4 Reprendre les Opérations 2 et 3 pour sélectionner et stocker les autres numéros de piste en mémoire, pour stocker un maximum de 20 pistes. Après la programmation de 20 pistes, l'affichage indique Plein [FULL].
- 5 Si vous souhaitez revoir ou modifier les entrées de votre programme, appuyez de façon répétée sur le bouton Programme [PROGRAM] pour faire défiler les entrées. Dès que vous aurez atteint le numéro correspondant à la dernière piste programmée, vous pourrez ajouter d'autres pistes à la séquence en répétant les Opérations 2 et 3.
- 6 Pour écouter le programme en mémoire, appuyez sur Lecture [PLAY]. Mémoire [MEMORY] apparaissent sur le panneau d'affichage pour indiquer qu'un programme stocké en mémoire est en cours de lecture. Pendant la Lecture Programmée, les boutons de Saut [SKIP] ne permettront d'accéder qu'aux pistes faisant partie de la séquence programmée. Cela veut dire que si vous ne souhaitez écouter qu'une partie d'un programme stocké en mémoire, commencez la lecture puis appuyez sur Saut Avant [SKIP ►►] pour sauter les pistes programmées que vous ne souhaitez pas écouter.
- 7 Pour mettre fin à la lecture programmée, appuyez sur Arrêt [STOP]. La séquence programmée reste néanmoins en mémoire. Si vous souhaitez écouter le programme à nouveau, appuyez tout simplement sur Lecture [PLAY]. Si vous souhaitez modifier le programme, appuyez de façon répétée sur Programme [PROGRAM] pour revoir et modifier la liste des pistes. Pour ajouter des pistes, appuyez sur le bouton Programme [PROGRAM] jusqu'à ce que la dernière piste programmée soit affichée.
- 8 Pour effacer le programme de la mémoire, appuyez deux fois sur Arrêt [STOP], ou Ouvrez puis Fermez le plateau [OPEN/CLOSE], ou coupez l'Alimentation [POWER].

L'exemple suivant donne les instructions, pas à pas, pour programmer et démarrer la Lecture Programmée des pistes 5, 23, 9, 16, et 1.

A partir du mode d'Arrêt [STOP]:

Boutons actionnés sur la télécommande	Affichage
PROGRAM	Pr p:01
5	5 p:01
PROGRAM	Pr p:02
+10, +10, 3	23 p:02
PROGRAM	Pr p:03
9	9 p:03
PROGRAM	Pr p:04
+10, 6	16 p:04
PROGRAM	Pr p:05
1	1 p:05
PROGRAM	Pr p:06
PLAY	

NOTA: Dans le mode de Programmation, les boutons de Saut [SKIP] et [SKIP] ont un effet de "rebouclage" : si vous sautez en arrière [SKIP] de façon répétée depuis la Piste 01, le chiffre affiché correspond au compte à rebours à partir de la dernière piste du disque. Cela permet de sélectionner rapidement les numéros de piste élevés.

SUPPRIMER

Le lecteur CD C 521BEE permet à l'utilisateur de supprimer des pistes qu'il ne souhaite pas écouter, dans n'importe quel ordre, aussi bien en Mode Programmation qu'en Mode Arrêt. Pour supprimer des pistes, utilisez la séquence de commandes ci-dessous.

En Mode Programmation:

- 1 Appuyez sur SUPPRIMER [DELETE]. L'affichage indique "dE d:01"; le lecteur est prêt à recevoir la première entrée à supprimer. Après une seconde, "dE" change pour afficher la première piste en mémoire.
- 2 Utilisez les boutons ◀◀ SAUT et SAUT ▶▶ pour sélectionner la première piste à supprimer. Le numéro de la piste clignote.
- 3 Appuyez sur SUPPRIMER [DELETE] pour stocker le numéro de piste choisi en mémoire. Le numéro de piste choisi disparaît du panneau d'affichage. L'affichage passe à l'emplacement suivant. Cela indique que le lecteur est prêt à recevoir votre deuxième sélection ; toutefois, il ne peut pas supprimer une piste dont le numéro est supérieur à 25.
- 4 Reprenez les Opérations 2 et 3 pour sélectionner et supprimer les autres numéros de piste en mémoire, pour un maximum de 20 pistes.
- 5 Pour lire le programme stocké dans la mémoire, il suffit d'appuyer sur LECTURE [PLAY]. Pendant la lecture, les boutons de SAUT ne fonctionneront que sur les pistes se trouvant encore sur la liste de lecture. Les pistes supprimées ne figurent pas sur la liste.
- 6 Pour vider la mémoire, appuyez deux fois sur ARRÊT [STOP], ou appuyez sur OUVERTURE / FERMETURE [OPEN/CLOSE] pour ouvrir le tiroir, ou alors mettez l'appareil hors tension.

En mode Arrêt :

- 1 Appuyez sur SUPPRIMER [DELETE]. L'affichage indique "dE" avec le temps total de la piste concernée. Le lecteur est prêt à recevoir la première piste à supprimer.
- 2 Utilisez les boutons du clavier numérique pour sélectionner la première piste que vous souhaitez supprimer. Le numéro de piste sélectionné est retiré de l'affichage calendaire et le temps total de lecture affiché est mis à jour.
- 3 Reprenez l'opération 2 pour sélectionner tous les numéros de pistes que vous souhaitez supprimer, jusqu'à 20 au maximum.
- 4 Pour lire les pistes restantes, appuyez tout simplement sur LECTURE [PLAY]. Pendant la lecture, les boutons de SAUT ne fonctionneront que sur les pistes se trouvant encore sur la liste de lecture. Les pistes supprimées ne figurent pas sur la liste.
- 5 Pour vider la mémoire, appuyez sur OUVERTURE / FERMETURE [OPEN/CLOSE] afin d'ouvrir le tiroir, ou mettez l'appareil hors tension.

L'affichage Calendaire indique la liste des pistes restantes. A la fin de la lecture, le C 521BEE s'arrête automatiquement et l'affichage indique à nouveau toutes les pistes présentes sur le CD dans le tiroir.

NOTA: Dans le mode de Programmation, les boutons de Saut [SKIP ◀◀] et [SKIP ▶▶] ont un effet de "rebouclage" : si vous sautez en arrière [SKIP ◀◀] de façon répétée depuis la Piste 01, le chiffre affiché correspond au compte à rebours à partir de la dernière piste du disque. Cela permet de sélectionner rapidement les numéros de piste élevés.

MISE EN PLACE ET REMPLACEMENT DES PILES

La télécommande fonctionne avec deux piles de 1,5 volts, type AAA (c'est à dire des piles de référence UM-4 ou IEC RO3). Il est conseillé d'utiliser des piles alcalines pour une longévité maximale. Pour ouvrir le compartiment des piles, posez votre doigt sur le léger creux à l'arrière de la télécommande, appliquez une pression contre le bord souple du couvercle des piles puis tirez le couvercle vers le haut. Insérez des piles neuves, en les orientant conformément au croquis se trouvant à l'intérieur du compartiment.

Les ressorts hélicoïdaux doivent toucher l'extrémité négative (-) de chaque pile. Repoussez le couvercle du compartiment des piles et appuyez doucement jusqu'à ce qu'il s'enclenche. Dans certains cas, un mauvais fonctionnement peut être dû à une légère corrosion ou à des traces grasses laissées par les doigts sur les contacts des piles. Retirez les deux piles, frottez les contacts métalliques aux deux extrémités de chaque pile avec un chiffon propre ou une gomme à crayon, puis réinsérez les piles en faisant attention de les orienter correctement.

DISQUES AUDIO CD-R & CD-RW

Le C 521BEE peut lire les CD-R & CD-RW audio enregistrés sur un ordinateur ou sur un enregistreur de CD. La qualité des disques CD-R & CD-RW audio varie énormément, ce qui peut en affecter la lisibilité.

Voici quelques uns des facteurs affectant la lisibilité :

- La qualité du disque lui-même. Dans l'ensemble, les CD-R & CD-RW vierges fabriqués par des sociétés de grande renommée donnent de meilleurs résultats que ceux sans marque.
- La qualité de l'enregistreur de CD ou du lecteur/enregistreur de CD de l'ordinateur. Certains enregistreurs ou graveurs donnent des résultats meilleurs que d'autres.
- La vitesse d'enregistrement du CD-R & CD-RW. En général, la qualité d'un CD-R & CD-RW est meilleure s'il est enregistré à une vitesse faible plutôt qu'à une vitesse élevée, sur un même enregistreur ou graveur.

DISQUES POUVANT ÊTRE LUS PAR CE LECTEUR

Ce Lecteur CD a été conçu pour lire les enregistrements musicaux uniquement, sur les CD, CD-R ou CD-RW enregistrés sous format Compact Disc 16 bits 44,1 kHz PCM. Il ne peut lire aucun autre format de disque et n'est pas capable de lire un disque comportant des données ou des images.

ATTENTION: Toute tentative de lire un disque comportant un enregistrement autre que musical entraînera une détérioration de votre chaîne de lecture.

ENTRETIEN

Ouvrez périodiquement le plateau à disques et essayez le avec un chiffon humide pour éliminer toute poussière libre.

MANIPULATION DES COMPACT DISCS

Manipulez les Compact Discs avec précaution. La lecture d'un disque ne sera pas affectée par de petites particules de poussière, par quelques légères traces de doigts ou de petites rayures. Mais les rayures profondes ou une épaisse couche de traces de doigts grasses peuvent empêcher le lecteur de suivre les pistes du disque. (A propos, même si la tête optique "lit" le disque à travers son côté transparent, la surface des données proprement dite est gravée juste en dessous de l'étiquette, et n'est protégée que d'une mince couche de laque. Cela veut dire qu'une rayure qui traverse l'étiquette peut détériorer le disque de manière plus sérieuse qu'une rayure similaire située sur la surface transparente "de lecture". Vous devez donc manipuler les deux faces du disque avec précaution). Des rayures profondes ou d'importantes traces de doigts peuvent provoquer un mauvais suivi de la piste par le lecteur (ce qui se manifeste par des sauts en avant, ou une lecture répétée de la même partie). Une détérioration moins importante peut provoquer de très courtes occurrences de bruit haute fréquence. Sur ce lecteur CD NAD, les circuits de suivi de piste et de correction d'erreurs sont d'une sophistication rare et assurent un suivi précis des pistes sur des disques défectueux que certains autres lecteurs sont incapables de lire. Cependant il faut toujours respecter les Compact Disc et ne jamais les manipuler sans faire attention. Le meilleur moyen de tenir ces disques est de les prendre uniquement par les bords.

NETTOYAGE DES DISQUES

Pour nettoyer les disques sales, il suffit de les essuyer avec un chiffon doux, sec ou humecté d'eau. N'UTILISEZ AUCUN produit destiné au nettoyage des disques 33-tours traditionnels (solutions de nettoyage, pulvérisateurs, chiffons traités ou préparations antistatiques), ni un quelconque solvant chimique (alcool, benzène, etc ...). Un disque très sale pourra être nettoyé sous une douchette d'eau tiède, éventuellement avec une petite quantité de liquide vaisselle, puis essuyé avec une serviette propre et douce.

Lors du nettoyage du disque, n'appliquez que des mouvements RADIAUX (depuis le centre vers le bord). N'appliquez jamais un mouvement d'essuyage circulaire comme pour le nettoyage des disques 33-tours traditionnels, car tout essuyage comporte un risque de rayure. Une rayure radiale sera la moins préjudiciable, puisqu'elle n'affectera qu'une petite partie de chaque piste circulaire, entièrement corrigible par les circuits de correction d'erreurs incorporés dans le lecteur. Par contre, une rayure circulaire qui suit une piste de données peut détériorer un segment de données long et continu, au point de rendre la correction impossible.

A PROPOS DE LA TÊTE OPTIQUE

Le lecteur de Compact Discs utilise un laser à diodes semi-conductrices, monté sur un servomécanisme de suivi de piste pour la lecture du disque. Le laser éclaire la piste constituée de trous microscopiques, qui représentent les bits de données numériques, alors que des diodes photosensibles détectent la lumière réfléchie du disque et la convertissent en un signal électronique ; ce signal est ensuite décodé pour récupérer la forme d'onde musicale de chaque voie stéréophonique.

Il est impossible de voir fonctionner le laser, car il fonctionne sur une longueur d'onde de 7800 Angströms, ce qui correspond aux infrarouges invisibles à l'œil humain.

Le lecteur de Compact Disc est totalement sûr, et peut être utilisé par des enfants. Le laser fonctionne avec une puissance très faible, de plus il est caché à l'intérieur du mécanisme du lecteur. Même lorsque le lecteur est démonté, le laser reste scellé dans un dispositif optique qui oblige sa lumière à se focaliser à une distance de seulement 1 mm de la lentille, puis à diverger très rapidement de manière à diminuer son intensité à un niveau négligeable.

DEPANNAGE		
PROBLEME	CAUSE PROBABLE	SOLUTION
Pas d'alimentation après avoir mis le bouton de mise sous tension [POWER] sur Marche [ON]	<ul style="list-style-type: none"> Mauvais branchement au niveau de la prise de secteur murale 	<ul style="list-style-type: none"> Bien enfoncer la fiche du cordon dans la prise de secteur murale
La lecture du disque ne commence pas	<ul style="list-style-type: none"> Le disque est à l'envers Le disque est excessivement sale 	<ul style="list-style-type: none"> Remettre le disque en veillant à ce que l'étiquette soit vers le HAUT Nettoyer le disque
Aucun son	<ul style="list-style-type: none"> Branchements incorrects des câbles audio Mauvais fonctionnement de l'amplificateur / récepteur 	<ul style="list-style-type: none"> Brancher correctement le lecteur de CD à l'amplificateur / récepteur S'assurer que le sélecteur d'entrées de l'amplificateur ou du récepteur est bien réglé sur CD
Sauts pendant l'écoute	<ul style="list-style-type: none"> Le lecteur CD est soumis à des vibrations ou à des chocs externes provenant de sources externes 	<ul style="list-style-type: none"> Déplacer l'installation
La télécommande ne fonctionne pas	<ul style="list-style-type: none"> Les piles du Combiné de Télécommande sont usées Un objet se trouve devant le capteur de télécommande sur le lecteur 	<ul style="list-style-type: none"> Remplacer les piles Retirer tout objet se trouvant devant le lecteur
"Bourdonnement" audible	<ul style="list-style-type: none"> Câbles mal branchés 	<ul style="list-style-type: none"> Vérifier le branchement de tous les câbles, surtout des câbles de liaison phono

SCHNELLSTART

- 1 Verbinden Sie die Anschlussbuchsen LINE OUT L (links) und R (rechts) über ein doppeltes, gummiisoliertes Kabel mit den entsprechenden CD-Eingängen Ihres Verstärkers.
- 2 Stecken Sie das Netzkabel ein.
- 3 Drücken Sie die Taste POWER, um das Gerät einzuschalten.
- 4 Öffnen Sie die CD-Schublade durch Drücken auf OPEN.
- 5 Legen Sie eine CD mit der bedruckten Seite nach oben in die runde Schachtvertiefung ein. Achten Sie darauf, dass die CD zentriert in der Vertiefung liegt.
- 6 Drücken Sie PLAY/PAUSE. Die Schublade wird automatisch geschlossen und das Abspielen der CD beginnt.
- 7 Durch Drücken der Taste SKIP können Sie jederzeit andere Titel auf der CD auswählen.
- 8 Drücken Sie PLAY/PAUSE, wenn Sie das Abspielen unter Beibehaltung der Tonabnehmerposition kurzzeitig unterbrechen wollen. Möchten Sie mit dem Abspielen fortfahren, drücken Sie PLAY/PAUSE erneut. Drücken Sie STOP, wenn Sie das Abspielen beenden und den Tonabnehmer an den Anfang der CD zurücksetzen möchten.

AUFSTELLUNGSHINWEISE

Stellen Sie den NAD C 521BEE CD-Player auf einer ebenen und erschütterungsfreien Oberfläche auf. (Starke Vibration oder Betrieb in gekippter Position kann dazu führen, dass der CD-Player aus der Spur springt.) Solange für ausreichende Luftzirkulation um den CD-Player gesorgt wird, kann das Gerät mit anderen Stereokomponenten gestapelt werden. Wird das Gerät sehr nahe an einem Radioempfangsgerät (MM oder UKW), Videorekorder oder Fernsehgerät aufgestellt, kann das durch die digitalen Schaltkreise des CD-Players erzeugte Feld zu Störungen in schwachen Sendesignalen führen. Stellen Sie in solchen Fällen den CD-Player weiter entfernt von anderen Geräten auf, oder schalten Sie ihn beim Hören von Rundfunk- oder Sehen von Fernsehsendungen aus.

RÜCKWANDANSCHLÜSSE

1. LINE OUTPUT (LINE-AUSGANG)

Verbinden Sie diese Buchsen über eine Leitung mit Ihrem Verstärker. Stecken Sie ein Ende der doppelten gummiisolierten Leitung in die Ausgangsbuchsen L (oben) und R (unten). Verbinden Sie das andere Leitungsende mit dem CD-Eingang Ihres Stereoverstärkers oder mit anderen Linepegel-Eingangsbuchsen (wie z. B. die AUX-Eingänge). Schließen Sie diese Leitung NICHT an die PHONO-Eingangsbuchsen des Verstärkers an. Zur besseren Übersicht sind die gummiisolierten Anschlußbuchsen am NAD C 521BEE farblich gekennzeichnet. Rot und weiß entsprechen dem linken bzw. rechten Audiokanal, und gelb wird für den digitalen Ausgang (Digital Out) verwendet. Achten Sie außerdem darauf, daß Anschlußleitungen und Buchsen frei von Beschädigungen sind und alle Steckverbindungen fest sitzen.

2. DIGITAL OUTPUT (DIGITALAUSGANG)

An dieser Ausgangsbuchse ist das digitale Wiedergabesignal verfügbar. Der serielle Datenausgang wird nach der Fehlerkorrektur aber vor der Digital/Analog-Umwandlung und Filterung abgenommen. Der Ausgang ist von den eingebauten D/A-Schaltkreisen durch einen Übertrager isoliert. Er kann mit jedem digitalen Signalprozessor, der dem Sony/Philips-Standard SPDIF entspricht, verbunden werden.

Um den digitalen Ausgang zu verwenden, schließen Sie an dieser Buchse eine Leitung zum Eingang "CD Digital" oder gleichwertig eines Digitalprozessors oder Rekorders an. Die besten Ergebnisse werden mit einem 75-Ohm-Koaxialkabel erreicht, das vom Typ her dem für Videosignale mit gummiisolierten Audiosteckern an beiden Enden entspricht. (Zur Unterscheidung von ähnlichen Audiokabeln für analoge Signale sind Video- und Digitalsignalkabel oft mit gelben Steckern farbcodiert.)

3. AC LINE CORD (NETZKABELANSCHLUSS)

Verbinden Sie das Netzkabel mit einer Wechselstrom-Steckdose oder einer zusätzlichen Netzbuchse hinten am Verstärker.

FRONTPLATTENELEMENTE

1. POWER ON/OFF (NETZSCHALTER)

Drücken Sie diese Taste, um den CD-Player einzuschalten. Zum Ausschalten drücken Sie die Taste erneut und lassen sie dann los. Das Display leuchtet auf und zeigt damit an, dass das Gerät eingeschaltet und betriebsbereit ist.

2. CD-SCHUBLADE

Zum Abspielen einer CD und Öffnen der CD-Schublade, drücken Sie die Taste OPEN. Legen Sie die CD mit der transparenten Abspielseite nach unten in die große runde Aussparung in der Schublade. Die Beschriftung muss nach OBEN zeigen. CD-3-Discs (3-Zoll-CD-"Singles") können ohne Adapter abgespielt werden. Legen Sie die CD mit der Beschriftungsseite nach OBEN und zentriert in die kleinere runde Aussparung der Schublade.

HINWEIS: Dieser CD-Player ist für sogenannte „Damping Discs“ auf einer CD oder für zwei gestapelte CDs nicht geeignet. Es können Audio-CDs und CD-RW, aber keine CDs mit der Kennzeichnung CD-V, DVD, CD-I, CD-ROM oder PHOTO CD abgespielt werden. Siehe auch Kapitel „Anmerkungen zu Standard- und beschreibbaren Audio-CDs (CD-R/CD-RW)“

3. DISPLAY (ANZEIGEFELD)

Das Display liefert Informationen über die Wiedergabe und die Position des optischen Tonabnehmers auf der CD. Die angezeigten Titel-/Zeitdaten werden durch Lesen von unhörbaren "Sub-Codes" einer CD erhalten.

TRACK NUMBER (Titelnummer)

Jede CD wird bei der Aufnahme in nummerierte Titel eingeteilt. Normalerweise entspricht ein nummerierter Titel einem bestimmten Lied, Satz einer Symphonie usw. Diese Titelnummern sind auf der CD-Verpackung aufgelistet und in der CD vom Hersteller kodiert.

Je nach Hersteller sind in manchen CDs die Titel in weitere Abschnitte mit Indexnummern unterteilt. Dieser CD-Player zeigt keine Indexnummern an.

TIME Standardmäßig wird im Anzeigefeld die seit dem Abspielen des aktuellen Titels abgelaufene Zeit dargestellt. Mit der Taste TIME können Sie das Display zur Anzeige der verbleibenden Anzahl von Titeln und Spielzeit bis zum Ende der CD umschalten.

Wenn Sie eine andere CD einlegen und mit der Taste OPEN (Nr. 4) die CD-Schublade schließen, wird im Display die Anzahl der Titel und die Gesamtspielzeit aller Titel auf der CD angezeigt.

REMAIN REMAIN wird in der unteren linken Ecke des Displays angezeigt, wenn Sie zur Anzeige der verbleibenden CD-Titel und CD-Spielzeit die Taste TIME gedrückt haben.

REPEAT 1 "REPEAT" wird in der Mitte und "1" wird oben links während der Wiederholung eines Titels angezeigt. "REPEAT" und "ALL" leuchten während der Wiederholung eines Programms oder der ganzen CD.

RANDOM Nach dem Auswählen des Zufallsmodus im C 521BEE erscheint "RANDOM" im Anzeigefeld.

TITELANZEIGE IN KALENDERDARSTELLUNG Zeigt eine Liste der auf der CD verfügbaren Titel an. Nach der Wiedergabe eines Titels wird die Titelnummer aus der Liste ausgeblendet. Dadurch erhalten Sie eine einfache Anzeige, wieviele CD-Titel bereits abgespielt sind und wieviele noch verbleiben. Die Nummer des gerade abgespielten Titels blinkt. Im Anzeigefeld werden bis zu 16 nummerierte Titel dargestellt.

MEMORY Während der Programmwiedergabe oder der Programmierung wird MEMORY angezeigt.

STATUS Während der Wiedergabe wird am linken Rand der Zeitanzeige ein Pfeil nach rechts angezeigt. Zwei senkrechte Balken **||** kennzeichnen den PAUSE-Modus des CD-Players. Im STOP-Modus zeigt das Display die Gesamtanzahl der Titel und die CD-Spielzeit an.

no disc Befindet sich in der Schublade keine CD oder versuchen Sie eine CD, die nicht lesbar ist (Schmutz oder verkehrte Lage) abzuspielen, wird im Anzeigefeld "no disc" signalisiert.

EMPFÄNGER DES FERNBEDIENUNGSSIGNALS Ein im rechten Bereich des Anzeigefeldes angeordneter Infrarot-Sensor empfängt die Signale von der Fernbedienung. Es muß eine klare Sichtverbindung von der Fernbedienung zu diesem Anzeigefeldbereich bestehen. Ist diese Strecke blockiert, funktioniert die Fernbedienung wahrscheinlich nicht.

4. OPEN (ÖFFNEN)

Drücken Sie diese Taste, um die CD-Schublade zu öffnen und ein weiteres Mal, um die Schublade wieder zu schließen. Wenn Sie diese Taste während dem Abspielen einer CD drücken, wird die CD-Wiedergabe angehalten, der Tonabnehmer an den Anfang der CD zurückgesetzt und die CD-Schublade geöffnet. Das Öffnen der Schublade löscht ebenfalls den Speicher für den Programm-Modus. Bei geöffneter Schublade kann der Schließmechanismus auch durch Drücken von PLAY oder leichtem Druck auf die CD-Schublade aktiviert werden.

HINWEIS: Die CD-Schublade wird von einem internen Motor geöffnet und geschlossen. Schließen Sie die Schublade nicht manuell, wenn das Gerät ausgeschaltet ist.

Wird die Schublade geschlossen, durchsucht der CD-Player das CD-Inhaltsverzeichnis und zeigt die Titellanzahl und die CD-Gesamtspielzeit an. Drücken Sie PLAY, um die Schublade zu schließen, wird diese Information übersprungen und das Abspielen des ersten Titels beginnt.

5. PLAY/PAUSE (ABSPIELEN/PAUSE)

Diese Taste mit Doppelfunktion dient dem Starten und Anhalten der Wiedergabe. Drücken Sie die Taste zum Starten oder Fortsetzen der Wiedergabe im PAUSE-Modus. Während der Wiedergabe können Sie durch Drücken der Taste die Wiedergabe kurzzeitig anhalten, wobei der Abtastlaser an der aktuellen CD-Position stehen bleibt. Der PLAY-Modus wird im Display mit einem nach rechts gerichteten Pfeil angezeigt. Den PAUSE-Modus kennzeichnen zwei senkrechte Balken. Um mit der Wiedergabe genau an dem Punkt fortzufahren, an dem sie angehalten worden ist, drücken Sie erneut auf PLAY/PAUSE. Wenn Sie nicht an derselben Stelle fortfahren möchten, können Sie mit den Steuerungstasten SKIP und SCAN den Abtastlaser an eine andere Position stellen und erst dann erneut die Taste PLAY betätigen.

6. TIME (ZEIT)

Mit der Taste TIME kann die aktuelle Titelnummer und die seit dem Beginn des Titels abgelaufene Zeit (Standardanzeige) oder die Anzahl der verbleibenden Titel und die Restspielzeit der CD oder des ausgewählten Programms (Alternative Anzeige) angezeigt werden. Drücken Sie bei Standardanzeige die Taste TIME, um die alternative Anzeige aufzurufen. Drücken Sie die Taste TIME erneut, wenn wieder die Standardanzeige aktiv sein soll.

7. STOP

Wenn Sie einmal auf die Taste STOP drücken, wird die Wiedergabe angehalten und der Abtastlaser an den Anfang der CD zurückgesetzt. Im Anzeigefeld werden wieder Titellanzahl und CD-Gesamtspielzeit angezeigt. Wurde der CD-Player zur Wiedergabe einer Titelauswahl programmiert, bleibt dieses Programm im Speicher des Gerätes erhalten. Drücken Sie STOP ein zweites Mal, wird auch das Programm gelöscht. Zweimaliges Drücken von STOP deaktiviert ebenfalls die Wiedergabemodi REPEAT und RANDOM, falls diese aktiv waren.

8. REPEAT (WIEDERHOLUNGSMODUS)

Mit dieser Taste wird der Wiederholungsmodus, d. h. eine endlose Wiederholungsschleife aktiviert. Drücken Sie die Taste REPEAT einmal, wird der Modus "REPEAT 1" eingestellt, der den aktuellen Titel laufend wiederholt. Wenn Sie die Taste REPEAT noch einmal drücken, wird der Modus "REPEAT ALL" aktiviert und die ganze CD wird von Anfang bis Ende immer wieder abgespielt. Drücken Sie die Taste REPEAT ein drittes Mal, wird der Wiederholungszyklus abgebrochen und der Normalbetrieb wiederhergestellt.

Der Wiederholungsmodus kann mit Programm- und Zufallswiedergabe-Modi kombiniert werden. Ist der C 521BEE im Wiederholungsmodus leuchtet im Anzeigefeld "REPEAT 1" oder "ALL". REPEAT kann auch durch zweimaliges Drücken der Taste STOP deaktiviert werden. Nach dem ersten Drücken der Taste STOP wird die Wiedergabe angehalten, das zweite Drücken deaktiviert den Wiederholungsmodus.

9. RANDOM (ZUFÄLLIGES ABSPIELEN)

Wenn Sie den Zufallsmodus aktivieren, werden alle Titel der CD einmal in zufälliger Reihenfolge abgespielt. Drücken Sie zur Aktivierung des Zufallsmodus im Stop-Modus zuerst die Taste RANDOM und dann PLAY/PAUSE. Der Zufallsmodus kann auch während der normalen Wiedergabe durch Drücken der Taste RANDOM aktiviert werden. Die Wiedergabe des aktuellen Titel wird dann abgebrochen und mit dem ersten zufällig ausgewählten Titel begonnen.

Der Zufallsmodus kann mit dem Wiederholungsmodus (REPEAT ALL) aber nicht mit dem Programmwiedergabemodus (PROGRAM) kombiniert werden. Ist der C 521BEE im Zufallsmodus leuchtet im Anzeigefeld "RANDOM". Zum Abbrechen des Zufallsmodus mit Rückkehr zum normalen Wiedergabemodus drücken Sie die Taste RANDOM erneut. Der Zufallsmodus kann auch durch zweimaliges Drücken der Taste STOP deaktiviert werden. Nach dem ersten Drücken der Taste STOP wird die Wiedergabe angehalten, das zweite Drücken deaktiviert den Zufallsmodus.

10. SCAN (SUCHEN) ◀◀ ▶▶

Mit der Taste SCAN ◀◀ wird der Abtastlaser mit hoher Geschwindigkeit rückwärts durch die Aufnahme bewegt. Diese Taste funktioniert nur, wenn der CD-Player im Wiedergabe- (PLAY) oder Pausemodus (PAUSE) ist. Nach einem STOP-Befehl oder dem Einlegen einer neuen CD muss zuerst PLAY gedrückt werden, bevor das Suchen mit SCAN funktioniert. Wird das Suchen im PAUSE-Modus aktiviert, erfolgt keine Wiedergabe. Betätigen Sie SCAN im normalen Wiedergabemodus, hören Sie beim Bewegen des Abtastlaser die entsprechenden Musikfragmente mit verminderter Lautstärke. Beim Suchen werden ungefähr die ersten 50 Sekunden eines Titels mit ca. 3-facher Geschwindigkeit wiedergegeben; danach erhöht sich die Suchgeschwindigkeit auf etwa das Fünfzehnfache der normalen Wiedergabegeschwindigkeit.

Mit dieser "hörbaren Suche" können Sie den CD-Player exakt auf die Position einstellen, an der mit der Wiedergabe begonnen werden soll. Wenn Sie beim Suchen den Anfang der CD erreichen, schaltet der CD-Player automatisch in den normalen Wiedergabemodus.

Mit der Taste SCAN ▶▶ kann der Abtastlaser schnell vorwärts durch die Aufnahme bewegt werden. Diese Funktion verhält sich wie SCAN ◀◀ (Suche rückwärts). Wenn Sie beim Vorwärtssuchen das Ende der CD erreichen, hält die Suche an und im Display wird das Titelverzeichnis angezeigt. (Keine "Umbruch"-Funktion).

11. SKIP (SPRINGEN) ◀◀ ▶▶

Drücken Sie während der Wiedergabe die Taste SKIP ◀◀, wird wieder der Anfang des aktuellen Titels eingestellt. Drücken Sie SKIP ◀◀ zweimal kurz hintereinander, springt der Abtastlaser auf den unmittelbar davorliegenden oder im Programm-Modus auf den vorhergehenden programmierten Titel. Nach dem ersten Drücken wird auf den Anfang des aktuellen Titels und nach dem zweiten Drücken auf den vorhergehenden Titel zurückgestellt. Halten Sie die Taste gedrückt, springt der CD-Player so lange auf vorhergehene Titel zurück, bis der erste Titel am Anfang der CD oder des Programms im Programm-Modus erreicht ist.

Drücken Sie während der Wiedergabe einmal auf die Taste SKIP ▶▶, um auf den Anfang des nächsten Titels der CD oder des Programms im Programm-Modus zu springen. Auf diese Weise können Sie in jeden Titel kurz hineinhören. Drücken Sie dazu PLAY und nachdem Sie die ersten Sekunden eines Titels gehört aben, tippen Sie auf SKIP. Im STOP-Modus drücken Sie die Taste SKIP ▶▶ so lange, bis Sie den Titel erreicht haben, mit dem die Wiedergabe begonnen werden soll. Drücken Sie PLAY, um mit der Wiedergabe zu beginnen.

12. STANDBY-LED (BEREITSCHAFTSMODUSANZEIGE)

Diese LED leuchtet beim Einschalten des Players grün und wechselt im Bereitschaftsmodus nach gelb.

FERNBEDIENUNG

Im Lieferumfang des CD-Players ist eine drahtlose Fernbedienung enthalten, mit der Sie die Wiedergabefunktionen komfortabel vom Sessel oder praktisch von jedem Standort im Raum aus bedienen können. Damit die Fernbedienung zuverlässig funktioniert, sollte zwischen der Fernbedienung und der CD-Player-Frontplatte eine ungestörte Sichtverbindung bestehen. Wenn der CD-Player auf Befehle von der Fernbedienung nicht reagiert, kann diese Sichtverbindung durch Kleidung, Papier oder Möbel blockiert sein.

Die meisten Tasten der Fernbedienung haben denselbe Effekt, wie die entsprechenden Tasten auf der Frontplatte des CD-Players. Darüber hinaus ist die Fernbedienung mit einigen zusätzlichen Tasten und Funktionen ausgestattet, wie z. B. dem numerischen Tastenfeld und Programmfunktionen.

POWER ON (NETZ EIN)

Drücken Sie diese grüne Taste zum Einschalten des CD-Players aus dem Bereitschaftsmodus. Die Farbe der LED wechselt von gelb nach grün und das EFL-Anzeigefeld wird beleuchtet.

POWER OFF (NETZ AUS)

Drücken Sie zur Umschaltung vom Betriebs- in den Bereitschaftsmodus diese rote Taste. Die Farbe der LED wechselt von grün nach gelb und das EFL-Anzeigefeld wird dunkel.

NUMERISCHES TASTENFELD

Über die Direkteingabe mit dem numerischen Tastenfeld (1 bis 10; +10) kann der CD-Player auf den Anfang eines nummerierten Titels gesetzt werden, wobei unmittelbar mit der Wiedergabe begonnen wird. Wenn Sie Titel 5 abspielen möchten, drücken Sie einfach 5. Um mit dem Titel 20 zu beginnen, drücken Sie: +10, 10. Zum Abspielen von Titel 36 drücken Sie: +10, +10, +10, 6.

PROGRAM (PROGRAMM)

Mit dem CD-Player C 521BEE können bis zu 20 Titel in jeder beliebigen Reihenfolge per Programm abgespielt werden. So aktivieren Sie den Programm-Modus und geben die gewünschte Titelfolge ein:

1. Drücken Sie PROGRAM. Die Anzeige "MEMORY" leuchtet auf. Im Anzeigefeld wird "Pr p:01" angezeigt. Das bedeutet, der CD-Player erwartet den ersten Programmeintrag.
2. Wählen Sie mit der Taste SKIP oder über Direkteingabe im numerischen Tastenfeld den ersten Titel der geplanten Sequenz. Die ausgewählte Titelnummer blinkt im Anzeigefeld.
3. Drücken Sie PROGRAM, um die ausgewählte Titelnummer zu speichern. Das Anzeigefeld wechselt in den Programmeingabemodus und es erscheint "Pr p:02", das bedeutet, der CD-Player ist bereit für die nächste Eingabe.
4. Wählen und speichern Sie durch Wiederholen der Schritte 2 und 3 weitere Titel (max. 20). Nach der Auswahl von 20 Titeln wird im Display "FULL" angezeigt.
5. Wenn Sie die eingegebenen Programmtitel überprüfen oder ändern möchten, können Sie durch wiederholtes Drücken von PROGRAM durch die gespeicherten Titel blättern. Wird die höchste Programmnummer angezeigt, können Sie durch Wiederholen der Schritte 2 und 3 zusätzliche Titel in den Speicher eingeben.
6. Zum Abspielen des gespeicherten Programms drücken Sie PLAY "PROGRAM", worauf zur Kennzeichnung, dass ein gespeichertes Programm abgespielt wird, im Anzeigefeld "MEMORY" erscheint. Während einer Wiedergabe im Programm-Modus erreichen Sie mit den Tasten SKIP nur die Titel in der Programmliste. Wenn Sie also ein gespeichertes Programm nur teilweise hören möchten, beginnen Sie mit der Wiedergabe und drücken dann SKIP ►►, um die nicht gewünschten Titel zu überspringen.
7. Zur Beendigung der Programmwiedergabe drücken Sie STOP. Die gespeicherte Titelliste verbleibt im Speicher, und wenn Sie das Programm erneut abspielen möchten, drücken Sie einfach wieder PLAY. Wenn Sie das Programm ändern möchten, können Sie durch wiederholtes Drücken auf PROGRAM die Liste überprüfen und entsprechend verändern. Möchten Sie Titel hinzufügen, drücken Sie PROGRAM so lange, bis die höchste Programmnummer angezeigt wird.
8. Der Programmspeicher wird gelöscht, wenn Sie zweimal auf STOP drücken, mit OPEN/CLOSE die CD-Schublade öffnen, oder den Netzschalter POWER betätigen.

Das nachfolgende Beispiel illustriert schrittweise, wie Sie die Titel 5, 23, 9, 16 und 1 programmieren und die Programmwiedergabe starten können.

Im STOP-Modus:

Tastendruck auf der Fernbedienung	Display (Anzeigefeld)
PROGRAM	Pr p:01
5	5 p:01
PROGRAM	Pr p:02
+10, +10, 3	23 p:02
PROGRAM	Pr p:03
9	9 p:03
PROGRAM	Pr p:04
+10, 6	16 p:04
PROGRAM	Pr p:05
1	1 p:05
PROGRAM	Pr p:06
PLAY	

Die kalenderartige Titelliste zeigt das ausgewählte Programm.

DELETE (LÖSCHEN)

Der CD-Player C 521BEE ermöglicht im Programm- oder Stop-Modus das Löschen unerwünschter Titel in jeder beliebigen Reihenfolge. Mit den folgenden Befehlen können Sie Titel löschen.

Im Programm-Modus:

1. DELETE drücken. Im Anzeigefeld erscheint „dE d:01“; das Gerät ist zur Eingabe des ersten zu löschenden Titels bereit. Nach einer Sekunde wird statt „dE“ der erste Speichertitel angezeigt.
2. Wählen Sie mit den Tasten ◀◀ SKIP & SKIP ▶▶ den ersten Titel, den Sie löschen wollen. Die Titelnummer blinkt.
3. Drücken Sie DELETE erneut, um die ausgewählte Titelnummer zu speichern. Die ausgewählte Titelnummer wird im Anzeigefeld gelöscht. Im Anzeigefeld wird die nächste verfügbare Position angezeigt. Damit wird angezeigt, daß der CD-Player für die zweite Eingabe bereit ist. Titelnummern größer als 25 können nicht gelöscht werden.
4. Wählen und löschen Sie durch Wiederholen der Schritte 2 und 3 weitere Titelnummern (max. 20).
5. Drücken Sie zum Abspielen des gespeicherten Programms die Taste PLAY. Während der Wiedergabe kann mit den Tasten SKIP nur noch auf die angezeigten Titel gesprungen werden. Die gelöschten Titel werden nicht mehr angezeigt.
6. Zum Löschen des Programmspeichers drücken Sie zweimal auf STOP, öffnen mit OPEN/CLOSE die CD-Schublade oder schalten Sie das Gerät aus.

Im Stop-Modus:

- 1 DELETE drücken. Im Anzeigefeld erscheint „dE “ mit der Gesamtspielzeit. Der CD-Player ist für die Eingabe des ersten zu löschenden Titels bereit.
- 2 Wählen Sie durch Direkteingabe im numerischen Tastenfeld den ersten Titel aus, den Sie löschen möchten. Die ausgewählte Titelnummer wird in der Kalenderansicht gelöscht und die aktualisierte Gesamtspielzeit wird im Anzeigefeld dargestellt.
- 3 Wählen Sie durch Wiederholen von Schritt 2 weitere Titel zum Löschen aus (max. 20).
- 4 Drücken Sie zum Abspielen der verbleibenden Titel die Taste PLAY. Während der Wiedergabe kann mit den Tasten SKIP nur noch auf die angezeigten Titel gesprungen werden. Die gelöschten Titel werden nicht mehr angezeigt.
- 5 Zum Löschen des Programmspeichers öffnen Sie mit OPEN/CLOSE die CD-Schublade oder schalten das Gerät aus.

Die Kalenderansicht enthält die verbleibenden Titel. Der C 521BEE stoppt nach der Wiedergabe automatisch und im Anzeigefeld werden wieder alle auf der eingelegten CD vorhandenen Titel dargestellt.

HINWEIS: Im Programmeingabe-Modus haben die Tasten SKIP ◀◀ und ▶▶ eine "Umbruch"-Funktion: Wenn Sie wiederholt mit SKIP Back (◀◀) von Titel 01 zurückspringen, wird vom letzten Titel der CD heruntergezählt. Auf diese Weise können hohe Titelnummern bequem ausgewählt werden.

EINSETZEN UND AUSTAUSCHEN VON BATTERIEN

Die Fernbedienung benötigt zwei 1,5 Volt AAA-Size (d. h. UM-4 oder IEC RO3) Batterien. Für eine maximale Betriebsdauer werden Alkaline-Batterien empfohlen. Um das Batteriefach zu öffnen, greifen Sie mit Ihrer Fingerspitze in die Aussparung auf der Rückseite der Fernbedienung, drücken gegen den flexiblen Rand des Batteriefachdeckels und heben den Deckel nach oben ab. Legen Sie neue Batterien ein, ausgerichtet nach der Darstellung im Batteriefach.

Die Spulenfedern sollten Kontakt mit der Minusseite (-) jeder Batterie haben. Setzen Sie den Batteriefachdeckel wieder ein und drücken ihn vorsichtig hinein bis er einrastet. Manchmal kann eine schlechte Funktion von Korrosion oder Hautfettresten an den Batteriekontakten verursacht werden. Nehmen Sie beide Batterien heraus, säubern die Metallkontakte an beiden Enden mit einem sauberen Tuch oder Radiergummi und legen die Batterien unter Beachtung der richtigen Ausrichtung wieder ein.

STANDARD- UND BESCHREIBBARE AUDIO-CDS (CD-R/CD-RW)

Der C 521BEE kann Audio-CDs, die auf einem Computer oder CD-Rekorder aufgenommen wurden, wiedergeben. Die Qualität von Audio-CDs (CD-R & CD-RW) variiert sehr stark und kann sich auf die Abspielbarkeit auswirken.

Einige Faktoren, von denen die Abspielbarkeit abhängt:

- Die Qualität der CD selbst. Im allgemeinen kann man sagen, dass mit CD-Rohlingen (CD-R & CD-RW) von renommierten Firmen bessere Ergebnisse erzielt werden können, als mit Noname-Produkten.
- Die Qualität des CD-Rekorders oder CD-Brenners im Computer. Manche Rekorder und CD-Brenner liefern bessere Ergebnisse als andere.
- Die CD-R wurde mit hoher Geschwindigkeit erstellt. Im allgemeinen ist die Qualität einer CD-R & CD-RW, die mit niedriger Geschwindigkeit erstellt worden ist, besser, als die einer CD-R, die auf demselben Gerät mit höherer Geschwindigkeit gebrannt worden ist.

ABSPIELBARKEIT VON CDS

Dieser CD-Player eignet sich ausschließlich zum Abspielen von Musikmaterial auf CD, CD-R und CD-RW, das im Compact-Disc-PCM-Format mit 16-Bit/44,1 kHz aufgezeichnet worden ist. Er wurde nicht zur Wiedergabe von anderen CD-Formaten oder CDs mit Daten oder Bildern entwickelt.

ACHTUNG: Das Abspielen von anderen als Musik-CDs kann zu Schäden an Wiedergabesystemen führen.

WARTUNG

Öffnen Sie in regelmäßigen Abständen die CD-Schublade und entfernen Sie mit einem feuchten Tuch lose Staubablagerungen.

DER UMGANG MIT COMPACT-DISCS

Behandeln Sie CDs vorsichtig. Die Abspielseite einer CD wird durch kleine Staubpartikel, ein paar Fingerabdrücke oder leichte Kratzer nicht beeinträchtigt. Aber große Kratzer oder dicke, fettige Fingerabdrücke können den CD-Spieler beim Abtasten der CD durchaus behindern. (Übrigens: Obwohl der Abtastlaser die CD durch die klare Seite „abspielt“, befindet sich die Datenoberfläche eingebettet direkt unter der bedruckten Seite und ist nur durch eine sehr dünne Lackschicht geschützt. Deshalb kann ein Kratzer auf der bedruckten Seite die CD mehr beschädigen als ein ähnlicher Kratzer auf der transparenten „Abspielseite“. Sie sollten daher beide CD-Oberflächen sorgsam behandeln.) Starke Kratzer oder Fingerabdrücke können den CD-Player aus der Spur bringen (vorwärts springen oder wiederholen derselben Stelle). Weniger starke Beschädigungen können sehr kurze Spitzen von hochfrequentem Rauschen produzieren. Die Spur- und Fehlerkorrektur-Schaltkreise dieses NAD CD-Players sind so außergewöhnlich hochentwickelt, dass ein sicheres Abtasten selbst beeinträchtigter CDs, die in anderen CD-Playern nicht mehr abspielbar sind, gewährleistet ist. Trotzdem sollten CDs nicht mißhandelt oder unachtsam behandelt werden. Am besten halten Sie eine CD nur am Rand fest.

REINIGEN VON CDS

Verschmutzte CDs können durch Abwischen mit einem weichen, trockenen oder leicht mit Wasser angefeuchteten Tuch gereinigt werden. Verwenden Sie KEINE herkömmlichen Schallplattenreinigungsprodukte (Reinigungslösungen, Sprays, behandelte oder Antistatik-Tücher) und auch keine chemischen Lösungsmittel (Alkohol, Benzin usw.). Eine stark verschmutzte CD kann in einem warmen Wasserstrahl, mit ein wenig mildem Spülmittel versetzt, abgespült und danach mit einem trockenen und weichen

Handtuch abgetrocknet werden.

Reinigen Sie eine CD nur mit RADIALEN Bewegungen (von der Mitte zum Rand). Wischen Sie niemals kreisförmig wie zur Reinigung von Schallplatten, da solche Wischbewegungen die CD stark verkratzen können. Ein radialer Kratzer schadet am wenigsten, weil nur ein sehr kleiner Teil der kreisförmigen Datenspuren davon betroffen ist, und dies kann von den Fehlerkorrektur-Schaltkreisen des CD-Players vollständig kompensiert werden. Ein kreisförmiger Kratzer entlang einer Datenspur aber kann ein so langes, zusammenhängendes Datensegment beschädigen, daß eine Korrektur nicht mehr möglich ist.

Kinder können den CD-Player völlig sicher verwenden. Der Laser arbeitet mit sehr wenig Energie und wird von den mechanischen Teilen im CD-Player verdeckt. Selbst wenn der CD-Player zerlegt ist, bleibt der Laser in einem optischen System verschlossen, das sein Licht nur 1 Millimeter von der Linse entfernt bündelt und danach sehr schnell zerstreut, wodurch die Lichtintensität auf vernachlässigbare Werte sinkt.

WISSENSWERTES ÜBER DEN ABTASTLASER

Der CD-Player verwendet zum Abspielen von CDs einen festen Halbleiter-Diodenlaser, der auf einem Spur-Servomechanismus montiert ist. Der Laser beleuchtet die Spur mikroskopisch kleiner Vertiefungen, die den digitalen Datenbits entsprechen, während Fotodioden das reflektierte Licht von der CD aufnehmen und in ein elektronisches Signal umwandeln, das dann zur Erzeugung der Tonwellen für jeden Stereokanal dekodiert wird.

Da das Laserlicht durch seine Wellenlänge von nur 7800 Ångström (Infrarotbereich) für das menschliche Auge nicht sichtbar ist, können Sie den Laser im Betrieb nicht sehen.

PROBLEMLÖSUNG		
SYMPTOM	MÖGLICHE URSACHE	ABHILFE
Kein Netz wenn die Taste POWER auf ON steht	<ul style="list-style-type: none"> • Schlechte oder gar keine Netzkabelverbindung mit der Steckdose 	<ul style="list-style-type: none"> • Netzkabel fest in die Steckdose hineinstecken
CD-Wiedergabe startet nicht	<ul style="list-style-type: none"> • Die CD wurde verkehrt herum eingelegt • Die CD ist zu stark verschmutzt 	<ul style="list-style-type: none"> • CD mit der bedruckten Seite nach OBEN einlegen • CD säubern
Kein Ton	<ul style="list-style-type: none"> • Falsche Audiokabelverbindungen • Fehlerhafter Verstärker-/Receiver-Betrieb 	<ul style="list-style-type: none"> • Einwandfreien Anschluss von CD-Player an Verstärker/Receiver herstellen • Stellen Sie sicher, dass der Eingangswahlschalter am Verstärker/Receiver auf CD eingestellt ist
Ton springt	<ul style="list-style-type: none"> • Der CD-Player ist Vibrationen oder Erschütterungen durch externe Einflüsse ausgesetzt 	<ul style="list-style-type: none"> • Aufstellungsort verändern
Fernbedienung funktioniert nicht	<ul style="list-style-type: none"> • Batterien in der Fernbedienung sind erschöpft • Empfangssensor im CD-Player wird durch einen Gegenstand verdeckt 	<ul style="list-style-type: none"> • Batterien ersetzen • Alle Gegenstände direkt vor dem Anzeigefenster entfernen
Hörbares Brummen	<ul style="list-style-type: none"> • Lockere Kabelverbindungen 	<ul style="list-style-type: none"> • Kabelverbindungen überprüfen, besonders die Phonokabel

SNEL BEGINNEN

- 1 Sluit een dubbele RCA-op-RCA-kabel aan tussen de L- en R-uitgangsaansluitingen en de overeenkomende cd-ingangen op de versterker.
- 2 Sluit het netsnoer aan.
- 3 Druk op de POWER-toets (aan/uit-toets) om de speler in te schakelen.
- 4 Druk op OPEN om de cd-lade te openen.
- 5 Plaats een cd, met het etiket naar boven, in de ronde uitsparing in de lade. Leg het schijfje midden in de uitsparing.
- 6 Druk op PLAY/PAUSE (afspelen/pauzeren). De lade wordt automatisch gesloten en het schijfje wordt afgespeeld.
- 7 U kunt te allen tijde SKIP (overslaan) indrukken of een andere track op het schijfje selecteren.
- 8 Druk op PLAY/PAUSE (afspelen/pauzeren) indien u het afspelen tijdelijk wilt onderbreken en daarna op hetzelfde punt weer verder wilt gaan met beluisteren. Druk nogmaals op PLAY/PAUSE wanneer u het afspelen wilt hervatten. Druk op STOP indien u het afspelen wilt beëindigen en bij het afspelen weer vooraan op het schijfje wilt beginnen.

AANTEKENING BIJ DE INSTALLATIE

Installeer de NAD C 521BEE cd-speler op een vlakke, trillingsvrije ondergrond. (Bij sterke trillingen of indien de cd-speler schuin staat, kan het gebeuren dat de speler overslaat.) De speler kan met andere stereo-componenten worden gestapeld, zolang er maar voldoende ventilatie is. Indien de speler dicht in de buurt van een tuner (AM of FM), een videospeler of een televisie wordt geplaatst, kan de door de digitale circuits opgewekte statische elektriciteit storingen veroorzaken in de ontvangst van zwakke signalen. Indien dit gebeurt, plaats de cd-speler dan weg van andere apparatuur of schakel hem uit tijdens het kijken of luisteren naar uitzendingen.

AANSLUITINGEN ACHTERPANEEL

1. LINE OUT-UITGANGEN

Sluit tussen deze aansluitingen en de versterker een kabel aan. Steek een uiteinde van een dubbele RCA-op-RCA-kabel in de (bovenste) L- en de (onderste) R-uitgangsaansluitingen. Sluit het andere uiteinde van de kabel aan op de cd-ingang van de stereoversterker of op een andere "lijn-niveau"-ingangsaansluiting (zoals de AUX-ingangen). Sluit deze kabel NIET aan op de PHONO-ingangsaansluitingen van de versterker. De RCA-aansluitingen op de NAD C 521BEE zijn kleurgecodeerd om het aansluiten te vergemakkelijken. Rood is rechts en wit is links en geel geeft de digitale uitgang aan. De kabels en aansluitpunten mogen niet zijn beschadigd en alle connectors moeten stevig op hun plaats worden aangebracht.

2. DIGITALE UITGANG

Het digitale afspeelsignaal staat op deze uitgang. De uitgaande seriële gegevens worden na de foutcorrectie genomen maar voordat de conversie van digitaal naar analoog en het filteren plaatsvindt. De uitgang is afgesloten van de transformator vanaf de ingebouwde digitaal-naar-analoog-circuits. Deze kan worden aangesloten op iedere digitale signaalprocessor die voldoet aan de Sony/Philips-standaard (SPDIF-standaard).

Om de digitale uitgang te kunnen gebruiken, moet een kabel worden aangesloten van dit aansluitpunt naar de ingang "CD Digital" of equivalent op een digitale processor of recorder. De beste resultaten worden behaald indien een 75 Ohm coaxiale kabel van het type voor videosignalen wordt gebruikt met een RCA-phonostekker aan beide uiteinden. (Ter onderscheiding van vergelijkbare phono-stekkerkabels voor analoge audiosignalen, worden op video- en digitaalsignaal-kabels vaak gele stekkers bevestigd.)

3. NETSNOER

Sluit dit netsnoer aan op een wandcontactdoos of op een extra AC-contactdoos achterop uw versterker.

BEDIENINGSELEMENTEN FRONTPANEEL

1. POWER ON/OFF (AAN/UIT)

Druk op deze toets om de cd-speler in te schakelen. Druk de toets nogmaals in om de unit uit te schakelen. Het display licht op wanneer de unit wordt ingeschakeld, wat aangeeft dat deze klaar is voor gebruik.

2. CD-LADE

Druk op de toets OPEN om de cd-lade te openen. Plaats de cd in de grote, ronde uitsparing in de lade, met het transparante speeloppervlak naar beneden gekeerd. Het label moet naar BOVEN wijzen. CD-3 schijfjes (3 inch cd "singles") kunnen zonder gebruik van een adapter worden afgespeeld. Leg het schijfje in de lade, in het midden van de kleinere, ronde uitsparing en met het label naar BOVEN gekeerd.

N.B.: Deze speler is niet geschikt voor het gebruik van een "damping disc" bovenop een cd, en ook niet voor twee cd's op elkaar. Met deze speler kunnen cd's en cd-rw's worden afgespeeld, maar geen cd-v, dvd, cd-i, cd-rom of foto-cd. Zie ook onder "Cd-r- en cd-rw-audioschijfjes".

3. DISPLAY

Op het display wordt informatie over de afspeelstatus gegeven en over de locatie van de leeslens op het schijfje. De getoonde track-/tijd-informatie wordt verkregen door onhoorbare "subcodes" op het schijfje te lezen.

TRACK-NUMMER Ieder schijfje wordt tijdens de opname in segmenten, de genummerde tracks, verdeeld. Gewoonlijk komt iedere track overeen met een lied, een symfonisch deel, etc. Deze track-nummers staan op de cd-hoes aangegeven en worden door de fabrikant in de vorm van een code op het schijfje opgeslagen. Sommige cd's bevatten, indien de fabrikant dit zo wil, tracks die zijn onderverdeeld in secties. Deze secties worden aan de hand van index-nummers aangegeven. Deze speler geeft geen index-nummers weer.

TIJD Gewoonlijk wordt op dit display de verlopen tijd sinds het begin van de huidige track getoond. Met de toets TIME (tijd) kunt u van display veranderen in het aantal resterende tracks en speeltijd tot aan het einde van het schijfje. Wanneer u een ander schijfje plaats en met de toets OPEN (nr. 4) de cd-lade sluit, worden op het display het aantal tracks en de totale speeltijd van alle tracks op het schijfje getoond.

REMAIN (RESTEREND) REMAIN verschijnt linksonder in het display indien u op de toets TIME hebt gedrukt om het resterende aantal tracks en resterende tijd van de cd te zien.

REPEAT 1 (HERHAAL 1) “REPEAT” en “1” lichten op in het midden en linksboven in het display wanneer een enkele track wordt herhaald. “REPEAT” en “ALL” (alle) lichten op indien het hele programma of schijfje wordt herhaald.

RANDOM (WILLEKEURIG) Wanneer de functie Random van de C 521BEE is geselecteerd, staat “RANDOM” aangegeven in het display.

TRACKWEERGAVE IN KALENDERVORM De beschikbare tracks op een schijfje worden weergegeven. Het cijfer van iedere track die wordt afgespeeld, verdwijnt uit de lijst. Het is een eenvoudige weergave van welk deel van het schijfje is afgespeeld en welk deel nog niet. Het cijfer van de track die wordt afgespeeld, knippert. Op het display kunnen maximaal 16 genummerde tracks worden getoond.

MEMORY (GEHEUGEN) Tijdens het afspelen van een programma (Program Play) of het programmeren van een programma, licht MEMORY op.

STATUS Tijdens het AFSPLEN licht er een naar rechtswijzende pijlpunt ► op aan de linkerkant van het tijddisplay. Twee verticale strepen || geven aan dat de speler is GEPAUZEERD. Wanneer op STOP is gedrukt, worden op het display weer het totaal aantal tracks en de speeltijd van het schijfje getoond.

no disc (geen schijfje) Indien er geen schijfje is of indien u een schijfje hebt geplaatst dat niet kan worden gelezen (het is vuil of ligt verkeerd) verschijnt “no disc” in het display.

EXTERNE RECEIVER Een infrarood sensor, rechtsonder in het display, die opdrachten ontvangt van de afstandsbediening. De ruimte tussen de afstandsbediening en dit venster moet leeg zijn; indien er zich hier hindernissen bevinden, kan het zijn dat de afstandsbediening niet werkt.

4. OPEN

Druk op deze toets om de cd-lade te openen en druk opnieuw om de lade te sluiten. Indien deze toets wordt ingedrukt terwijl er een cd wordt afgespeeld, wordt de weergave onderbroken, de leeslens gaat naar het begin van het schijfje en de lade wordt geopend. Wanneer de lade wordt geopend, wordt het geheugen voor Program Play (programma afspelen) gewist. Wanneer de cd-lade is geopend, kan het sluitmechanisme ervan ook worden geactiveerd door op PLAY te duwen of door de lade zachtjes naar binnen te duwen.

N.B.: De cd-lade wordt door een interne motor geopend en gesloten. Sluit de lade niet met de hand wanneer de unit is uitgeschakeld.

Wanneer de lade sluit, scant de speler de inhoudsopgave van het schijfje en toont het totale aantal schijfjes en speeltijd op het display. Indien u op PLAY drukt om de lade te sluiten, wordt deze informatie overgeslagen en wordt direct begonnen met het afspelen van track 1.

5. PLAY/PAUSE (AFSPLEN/PAUZEREN)

Met deze dubbele-functietoets wordt tussen het starten en stoppen van het afspelen afgewisseld. Druk hierop om het afspelen te starten of na het pauzeren te hervatten. Indien u tijdens het afspelen op deze toets drukt, wordt het afspelen tijdelijk onderbroken. De leeslens blijft echter op de huidige positie op het schijfje staan. De afspeelmodus wordt aangegeven met een naar rechts wijzende pijl in het display. De pauzeermodus wordt aangegeven met twee verticale streepjes || . Om het afspelen op exact hetzelfde punt als waar werd gestopt, te hervatten drukt u nogmaals op PLAY/PAUSE. Indien u het afspelen niet op hetzelfde punt wilt hervatten, kunt u met de toetsen SKIP (overslaan) en SCAN de leeslens op een andere plaats zetten, voordat u weer op PLAY drukt.

6. TIME (TIJD)

Met de toets TIME wordt tussen het weergeven van het aantal afgespeelde of resterende tracks en de bijbehorende tijd geschakeld. Bij de standaardinstelling geeft het display het huidige track-nummer en de verlopen tijd sinds het begin van de track aan. Druk nog een keer op de toets om het totale aantal resterende tracks en de bijbehorende tijd op het display te laten verschijnen. Druk nogmaals op de toets om naar de standaardweergave van verlopen tijd terug te keren.

7. STOP

Druk eenmaal op de toets STOP om het afspelen te stoppen. De leeslens wordt aan het begin van het schijfje gezet. Op het display verschijnt opnieuw het aantal tracks en de totale speelduur van het schijfje. Indien de cd-speler werd geprogrammeerd om een aantal tracks te spelen, blijft dit programma in het geheugen van de speler bewaard. Indien nogmaals op STOP wordt gedrukt, wordt ook dit programma verwijderd. Door een tweede keer op STOP te drukken, worden ook Repeat (herhalen) en Random (willekeurige volgorde) geannuleerd indien deze waren ingeschakeld.

8. REPEAT (HERHALEN)

Met deze toets wordt de herhalingsmodus ingeschakeld, wat betekent dat de track of cd eindeloos wordt herhaald. Druk eenmaal op Repeat om de modus REPEAT 1 te selecteren, waarbij alleen de huidige track steeds opnieuw wordt afgespeeld. Door nogmaals op de toets Repeat te drukken wordt de modus REPEAT ALL (alles herhalen) geselecteerd, waarbij de hele cd steeds opnieuw wordt afgespeeld. Druk een derde keer op de toets Repeat om de herhalingscyclus te annuleren en naar normale werking terug te keren.

De herhalingsmodus kan in combinatie met de modi Program (programmeren) en Random Play (in willekeurige volgorde afspelen) worden gebruikt. Wanneer bij de C 521BEE de herhalingsmodus is ingeschakeld, verschijnt “REPEAT 1” of “ALL” in het display. De herhalingsmodus kan ook worden opgeheven door tweemaal op de toets STOP te drukken. De eerste keer wanneer STOP wordt ingedrukt, wordt het afspelen onderbroken en bij de tweede keer drukken wordt de herhalingsmodus geannuleerd.

9. RANDOM

Wanneer de random-modus wordt ingeschakeld, worden alle tracks op de cd in willekeurige volgorde eenmaal afgespeeld. Druk eerst op Stop, vervolgens op RANDOM en daarna op de toets PLAY/PAUSE om deze modus in te schakelen. Ook tijdens de normale weergave kan het afspelen in willekeurige volgorde worden ingeschakeld door op de toets RANDOM te drukken. De huidige track wordt afgebroken en er wordt een willekeurig geselecteerde track afgespeeld.

De random-modus kan in combinatie met het herhalen van alle tracks (Repeat Play All) worden gebruikt, maar niet met de programmeermodus. Wanneer de C 521BEE in de random-modus staat, verschijnt “RANDOM” in de display. Druk nogmaals op RANDOM om het weergeven in willekeurige volgorde te annuleren en terug te keren naar de normale weergave. De random-modus kan ook worden opgeheven door tweemaal op de toets STOP te drukken. De eerste keer wanneer STOP wordt ingedrukt, wordt het afspelen onderbroken en bij de tweede keer drukken wordt de random-modus geannuleerd.

10. SCAN ◀◀ ▶▶

Wanneer de toets SCAN ◀◀ wordt ingedrukt, scant de leeslens snel achteruit door de opname. Deze toets werkt alleen zo lang de speler op PLAY of PAUSE staat. Nadat STOP is ingedrukt, of nadat een nieuw schijfje is geplaatst, moet u op PLAY drukken voordat het scancircuit gaat werken. Indien het scannen wordt gestart terwijl PAUSE is ingeschakeld, dan verloopt het scannen zonder geluid. Wordt het scannen echter gestart terwijl een schijfje wordt afgespeeld, dan zijn er tijdens het scannen tegen een lager volume muziekfragmenten te horen. Tijdens de eerste 50 seconden van een track verloopt het scannen met circa 3 keer de normale weergavesnelheid, daarna wordt de scansnelheid verhoogt tot circa 15 keer deze snelheid.

Met dit "hoorbaar scannen" kunt u de speler precies op de plaats zetten waar u het afspelen wilt hervatten. Indien u tijdens het afspelen van track 1 helemaal naar het begin van het schijfje terugscant, hervat de speler automatisch de normale weergave.

Wanneer de toets SCAN ▶▶ wordt ingedrukt, scant de leeslens snel vooruit door de muziek. Deze functie is vergelijkbaar met SCAN ◀◀. Indien u tijdens het afspelen van de laatste track naar het einde van de disc scant, wordt het scannen gestopt en in de tijd-display wordt de inhoudsopgave getoond. (Er is geen "overloop"-functie.)

11. SKIP ◀◀ ▶▶

Druk tijdens het spelen eenmaal op de toets SKIP ◀◀ om naar het begin van de huidige track terug te keren. Druk in de programmeermodus tweemaal snel achter elkaar op SKIP ◀◀ om naar de vorige track te gaan of, in de programmeermodus, naar het begin van de vorige geprogrammeerde track. Door de toets ingedrukt te houden, gaat de speler steeds een track terug tot aan het begin van het schijfje (track 1) of de eerste track die in de programmeermodus werd geprogrammeerd.

Druk tijdens het afspelen eenmaal op SKIP ▶▶ om naar het begin van de volgende track te gaan of, in de programmeermodus, naar het begin van de volgende geprogrammeerde track. Om dus van ieder lied iets te horen, drukt u op PLAY en nadat u de track enkele seconden hebt beluisterd, op SKIP. Druk eerst op Stop en vervolgens op SKIP ▶▶ tot u de track hebt bereikt die u wilt afspelen. Druk op Play om de weergave te starten.

12. STANDBY-INDICATOR

De standby-indicator licht groen op wanneer de unit wordt ingeschakeld en verandert in oranje wanneer naar standby wordt overgeschakeld.

AFSTANDSBEDIENING

De cd-speler wordt met een draadloze afstandsbediening geleverd, zodat u de afspeelfuncties vanuit een gemakkelijke stoel of vanuit bijna ieder punt in de kamer kunt bedienen. Voor een betrouwbare werking dient er een goede gezichtslijn tussen de afstandsbediening en de voorkant van de cd-speler te zijn. Indien de speler niet op opdrachten van de afstandsbediening reageert, kan het zijn dat er tussen de afstandsbediening en de speler kleren, papier of meubilair staat.

De meeste toetsen op de afstandsbediening hebben hetzelfde effect als de hiermee corresponderende toetsen op het frontpaneel van de cd-speler. Daarbij bevinden zich op de afstandsbediening ook nog extra toetsen en zijn er extra functies, zoals de cijfertoetsen en de programmeerfuncties.

INSCHAKELEN

Druk op de groene toets om de cd-speler vanuit standby in te schakelen. De LED verandert van oranje in groen en de display licht op.

UITSCHAKELEN

Druk op deze rode toets om vanuit de ingeschakelde stand naar standby over te schakelen. De LED verandert van groen in oranje en de display wordt donker.

CIJFERTOETSEN

Wanneer op een van de cijfertoetsen (1 t/m 10; +10) wordt gedrukt, springt de speler direct naar het begin van de corresponderende track en het afspelen begint. Om dus track 5 af te spelen, drukt u op 5. Om track 20 af te spelen, drukt u op +10, 10. Om track 36 af te spelen, drukt u op +10, +10, +10, 6.

PROGRAMMEREN

Met de C 521BEE cd-speler kunnen er 20 tracks in iedere gewenste volgorde worden geprogrammeerd. De programmeermodus starten met de gewenste track-volgorde in het geheugen:

- 1 Druk op PROGRAM (programmeren). De "MEMORY"-indicator (geheugen) licht op. Op de display verschijnt "Pr p:01", wat betekent dat de speler wacht op de eerste programma-invoer.
- 2 Selecteer met SKIP of de cijfertoetsen de eerste gewenste track. Dit track-nummer knippert in de display.
- 3 Druk op PROGRAM om het geselecteerde track-nummer in het geheugen op te slaan. De display keert terug naar de programma-invoer en nu staat er "Pr p:02" in de display, wat aangeeft dat de speler klaar is voor de tweede keuze.
- 4 Herhaal stappen 2 en 3 om andere tracknummers in het geheugen op te slaan; er kunnen maximaal 20 tracks worden geprogrammeerd. In de display verschijnt "FULL" (vol) wanneer er 20 tracks zijn ingevoerd.
- 5 Indien u de geprogrammeerde invoeren wilt bekijken of bewerken, druk dan meerdere malen op PROGRAM, zodat op de display alle tracks worden getoond. Wanneer het hoogste programmanummer wordt getoond, kunt u nog andere tracks in het geheugen invoeren door stap 2 en 3 te herhalen.
- 6 Druk op PLAY om het opgeslagen programma af te spelen. In de display verschijnt "MEMORY" (geheugen), wat aangeeft dat er een opgeslagen programma wordt afgespeeld. Tijdens de weergave kunt u met SKIP alleen naar de tracks in de programmalijs gaan. Indien u dus alleen een deel van een opgeslagen programma wilt afspelen, drukt u op PLAY en vervolgens SKIP ▶▶ om de geprogrammeerde tracks die u niet wilt horen, over te slaan.
- 7 Druk op STOP om het afspelen van het programma af te breken. De track-lijst blijft echter in het geheugen opgeslagen. Indien u het programma opnieuw wilt afspelen, hoeft u alleen maar opnieuw op PLAY te drukken. Indien u het programma wilt bewerken, druk dan herhaaldelijk op PROGRAM om de lijst te bekijken en te wijzigen. U kunt tracks toevoegen door op de toets PROGRAM te drukken tot het hoogst geprogrammeerde nummer wordt getoond.
- 8 U kunt het programmageheugen wissen door op STOP en OPEN/CLOSE (om de lade te openen) te drukken of door de cd-speler uit te schakelen.

In het volgende voorbeeld wordt stapsgewijs aangegeven hoe tracks 5, 23, 9, 16 en 1 worden geprogrammeerd en afgespeeld.

Terwijl de cd-speler is gestopt:

Druk op de afstandsbediening	In display
PROGRAM	Pr p:01
5	5 p:01
PROGRAM	Pr p:02
+10, +10, 3	23 p:02
PROGRAM	Pr p:03
9	9 p:03
PROGRAM	Pr p:04
+10, 6	16 p:04
PROGRAM	Pr p:05
1	1 p:05
PROGRAM	Pr p:06
PLAY	

DELETE (WISSEN)

Met de C 521BEE cd-speler kan de gebruiker ongewenste tracks in iedere gewenste volgorde verwijderen in de programmeermodus of wanneer STOP is ingedrukt. Tracks worden gewist zoals hieronder beschreven.

In de programmeermodus:

- 1 Druk op DELETE (wissen). In de display staat "dE d:01". De eerste track kan nu worden gewist. "dE" verandert na 1 seconden in de eerste geheugentrack.
- 2 Selecteer met de toetsen SKIP ◀◀ & SKIP ▶▶ de eerst track die u wilt wissen. Het track-nummer knippert.
- 3 Druk nog een keer op DELETE om het geselecteerde track-nummer in het geheugen op te slaan. Dit track-nummer wordt uit de display verwijderd. De display gaat naar de volgende plaats. Dit geeft aan dat de tweede track kan worden gewist, maar er kunnen geen tracks boven track 25 worden gewist.
- 4 Herhaal stappen 2 en 3 om andere tracknummers uit het geheugen te verwijderen (maximaal 20 tracks).
- 5 Druk op PLAY om het opgeslagen programma af te spelen. Indien tijdens het afspelen op SKIP wordt gedrukt, heeft dit alleen betrekking op de tracks die nog in de lijst staan. De gewiste tracks worden niet meer aangegeven.
- 6 U kunt het geheugen wissen door tweemaal op STOP te drukken en vervolgens op OPEN/CLOSE (om de lade te openen), of door de cd-speler uit te schakelen.

Wanneer op STOP is gedrukt:

- 1 Druk op DELETE (wissen). Op de display wordt "dE d:01" met de totale track-tijd aangegeven. De eerste track om te verwijderen kan worden ingevoerd.
- 2 Selecteer met de cijfertoetsen de eerste track die u wilt wissen. De geselecteerde track wordt uit de display verwijderd en de bijgewerkte totale speeltijd verschijnt in de display.
- 3 Herhaal stap 2 om nog een track te verwijderen (maximaal 25), maar tracks hoger dan 25 kunnen niet worden gewist.
- 4 Druk op PLAY om de resterende tracks af te spelen. Indien tijdens het afspelen op SKIP wordt gedrukt, heeft dit alleen betrekking op de tracks die nog in de lijst staan. De gewiste tracks worden niet meer aangegeven.
- 5 U kunt het geheugen wissen door op STOP te drukken en vervolgens op OPEN/CLOSE (om de lade te openen), of door de cd-speler uit te schakelen.

In de display verschijnen de resterende tracks. Nadat alle tracks zijn afgespeeld, stopt de C 521BEE automatisch. In de display verschijnen nu alle tracks die op de cd staan.

N.B.: In de programmeermodus hebben de toetsen SKIP [◀◀] en [▶▶] een "omloop"-effect: indien u vanaf track 01 herhaaldelijk op achteruit overslaan ([◀◀]) drukt, dan wordt er vanaf het hoogste track-nummer op het schijfje terug geteld. Op deze manier kunnen tracks met een hoog nummer gemakkelijk worden geselecteerd.

BATTERIJEN PLAATSEN EN VERVANGEN

Voor de afstandsbediening zijn twee 1,5 V AAA-batterijen (d.w.z. UM-4 of IEC RO3). Voor een maximale werkingsduur worden alkalische batterijen aangeraden. Open het batterijvakje door uw vingertip in de uitsparing aan de achterkant van de afstandsbediening te plaatsen, tegen de flexibele rand van het dekseltje te duwen en dit naar boven te tillen. Plaats nieuwe batterijen op de manier die op het schema in het vakje wordt aangegeven.

De veren moeten het (-) uiteinde van iedere batterij raken. Druk het dekseltje terug en druk erop tot het vastklikt. Het kan gebeuren dat door corrosie of huidolie van de vingers de batterijcontacten vervuild zijn en niet goed meer werken. Verwijder in dat geval beide batterijen, wrijf de metalen contactpunten aan beide zijden van beide batterijen schoon met een schone doek of met een gum en plaats de batterijen terug. Let erop dat ze in de juiste richting worden geplaatst.

CD-R- EN CD-RW-AUDIOSCHIJFJES

In de C 521BEE kunnen cd-r- en cd-rw-audioschijfjes worden afgespeeld die op een computer of een cd-recorder zijn opgenomen. In de kwaliteit van cd-r-audioschijfjes zijn grote verschillen te vinden en de kwaliteit kan van invloed zijn op de afspeelbaarheid.

Factoren die op de afspeelbaarheid van invloed kunnen zijn:

- De kwaliteit van het schijfje zelf. Over het algemeen geven lege cd-r- en cd-rw-schijfjes van bekende bedrijven betere resultaten dan ongemerkte schijfjes.
- De kwaliteit van de cd-recorder of cd-(re)writer. Sommige recorders en writers geven betere resultaten dan andere.
- De cd-r of cd-rw werd op hoge snelheid geschreven. Over het algemeen is de kwaliteit van een cd-r en cd-rw beter wanneer deze op een en dezelfde recorder of (re)writer met een lagere in plaats van een hogere snelheid is geschreven.

ONDERHOUD

Open met periodieke tussenpozen de cd-lade en veeg met een vochtige doek het stof weg.

MET CD'S OMGAAN

Behandel cd's voorzichtig. De weergave van een schijfje wordt niet beïnvloed door kleine stofpartikels, enkele lichte vingerafdrukken of oppervlakkige krasjes. Maar door diepe krassen of een dikke laag vette vingerafdrukken kan het gebeuren dat de cd-speler het schijfje niet meer kan afspelen. (Overigens, alhoewel de leeslens het schijfje door de doorzichtige zijde "afspeelt", ligt de echte gegevenslaag net onder het label, waar hij door slechts een zeer dunne laag lak wordt beschermd.) Dat betekent dus dat een kras door het label ernstigere schade aan het schijfje toebrengt dan een vergelijkbare kras aan het doorzichtige "afspeeloppervlak". U dient dus beide zijden van het schijfje voorzichtig te behandelen.) Door diepe krassen of grote vingerafdrukken kan het zijn dat de speler de track niet goed kan volgen (delen worden overgeslagen of herhaaldelijk afgespeeld). Door minder ernstige beschadigingen kunnen kortstondige hoogfrequente geluiden optreden. De tracking- en foutcorrectiecircuits van deze NAD cd-speler zijn buitengewoon ver ontwikkeld, wat betekent dat minder goede schijfjes die op sommige andere spelers niet kunnen worden gebruikt, op deze speler wel kunnen worden afgespeeld. Desalniettemin moeten schijfjes niet worden misbruikt of achteloos worden gebruikt. Voor de beste resultaten dient u het schijfje alleen bij de randen vast te pakken.

SCHIJFJES REINIGEN

Vuile schijfjes kunnen worden gereinigd door ze met een zachte, droge of met water bevochtigde doek af te vegen. Gebruik GEEN reinigingsproducten voor LP's (reinigingsoplossingen, spuitbussen, voorbehandelde doeken, of anti-statische middelen) en ook geen chemische oplosmiddelen (alcohol, benzeen, enz.). Een sterk vervuild schijfje kan met met warm water worden besproeid, met daarin misschien een kleine hoeveelheid mild afwasmiddel, en vervolgens met een schone, zachte handdoek worden afgedroogd.

Veeg bij het reinigen van het schijfje alleen vanuit het midden naar buiten. Gebruik nooit een rondgaande beweging, zoals bij LP's, omdat er tijdens het afvegen krasjes op het schijfje kunnen komen. Een kras die vanuit het midden naar de rand loopt, is het minst belastend, omdat deze slechts gevolgen heeft voor een klein deel van iedere ronde gegevenstrack. Deze kunnen door de foutcorrectiecircuits van de speler volledig worden gecompenseerd. Maar bij een rondgaande kras die een gegevenstrack volgt, kan een zodanig lang gegevenssegment worden beschadigd, dat er niet meer kan worden gecorrigeerd.

OVER DE LEESLENS

Bij de cd-speler wordt gebruik gemaakt van een halfgeleider diodelaser die op een servo-volgmecanisme is geplaatst, om schijfjes af te spelen. De laser verlicht een track van microscopische gaatjes (de digitale gegevensbits), terwijl fotodiodes de gereflecteerde verlichting vanaf het schijfje registreren. Deze reflectie wordt in een elektronisch signaal omgezet, dat vervolgens wordt gedecodeerd tot een muzikale golfvorm in ieder stereokanaal.

U kunt de laser niet zien, omdat deze met een golflengte van 7800 Angstrom werkt. Deze golflengte ligt in het infrarood gebied en is daarom niet zichtbaar voor het menselijke oog.

De cd-speler kan veilig door kinderen worden gebruikt. De laser werkt op een erg laag vermogen en bevindt zich in het spelmechanisme. Zelfs wanneer de speler is gedemonteerd, blijft de laser afgedicht binnen een optisch systeem waarin het licht op een brandpunt van slechts 1 mm buiten de lens ligt, waarna het zich snel verspreidt waardoor de intensiteit tot verwaarloosbare niveaus wordt teruggebracht.

PROBLEMEN OPLOSSEN		
SYMPTOOM	MOGELIJKE OORZAAK	OPLOSSING
Geen vermogen wanneer de toets POWER op ON staat	<ul style="list-style-type: none"> Netsnoer slecht of niet aangesloten 	<ul style="list-style-type: none"> Duw de stekker stevig in de wandcontactdoos
Het schijfje wordt niet afgespeeld	<ul style="list-style-type: none"> Het schijfje is verkeerd geplaatst Het schijfje is te vuil 	<ul style="list-style-type: none"> Plaats het schijfje met het label naar BOVEN Reinig het schijfje
Geen geluid	<ul style="list-style-type: none"> Onjuiste audiokabelaansluitingen Onjuiste werking versterker/receiver 	<ul style="list-style-type: none"> Sluit de cd-speler correct op de versterker/receiver aan Controleer of de ingangselector op uw versterker of receiver op CD staat
Geluid slaat over	<ul style="list-style-type: none"> De cd-speler staat bloot aan trillingen of schokken van externe bronnen 	<ul style="list-style-type: none"> Zet de installatie op een andere plaats
Afstandsbediening werkt niet	<ul style="list-style-type: none"> De batterijen in de afstandsbediening zijn leeg Er staat een voorwerp voor de sensor in de speler 	<ul style="list-style-type: none"> Vervang de batterijen Verwijder voorwerpen die recht voor de speler staan
Er is een "zoemend" geluid te horen	<ul style="list-style-type: none"> Loszittende kabelaansluitingen 	<ul style="list-style-type: none"> Controleer de kabelaansluitingen, met name de phono-aansluitingskabels.

INICIO RAPIDO

1. Conecte un conductor doble RCA-a-RCA desde los enchufes jack L (izquierdo) y R (derecho) de Line Output a las correspondientes entradas de CD de su amplificador.
2. Enchufe el equipo en el cordón de alimentación CA.
3. Pulse el pulsador POWER (alimentación eléctrica) para conectar el tocadiscos.
4. Pulse OPEN para abrir el cajón de discos.
5. Coloque un CD, con el lado de la etiqueta arriba, en el entrante circular de la bandeja. Asegúrese de que el disco está centrado dentro del entrante.
6. Pulse PLAY/PAUSE. El cajón se cierra automáticamente y comienza a escucharse el disco.
7. En cualquier momento, puede usted pulsar SKIP para seleccionar diferentes pistas en el disco.
8. Pulse PLAY/PAUSE si desea parar temporalmente la escucha del disco mientras mantiene la toma en su posición actual en el disco. Pulse otra vez PLAY/PAUSE cuando quiera reanudar la escucha. Pulse STOP si desea terminar la escucha y reajustar la toma al comienzo del disco.

NOTA SOBRE LA INSTALACION

Instale el tocadiscos de Discos Compactos NAD C 521BEE sobre una superficie nivelada y sin vibración. (Una vibración severa, o el funcionamiento en posición inclinada, puede hacer que el tocadiscos no siga bien las pistas.) El tocadiscos se puede colocar sobre otros componentes estéreo con tal que haya ventilación adecuada alrededor del mismo. Si se coloca el tocadiscos en estrecha proximidad a un sintonizador de radio (AM o FM), VCR (grabadora de vídeo), o un televisor, el funcionamiento de sus circuitos digitales puede producir estática que interferiría con la recepción de señales débiles de retransmisión. Si ocurre esto, traslade el tocadiscos de CD alejándolo de otros dispositivos, o póngalo en "off" [desconectar] cuando visiono o escuche retransmisiones.

CONEXIONES DEL PANEL TRASERO**1. LINE OUTPUT [SALIDA DE LÍNEA]**

Conecte un cable desde estos enchufes de clavija hasta su amplificador. Enchufe un extremo de un cable doble RCA-a-RCA en los enchufes de clavija de salida L (superior) y R (inferior). Conecte el otro extremo del cable a la entrada de CD de su amplificador de estéreo, o a cualquier otro de los enchufes de clavija de entrada de "nivel de línea" ("level-line") tales como las entradas AUXiliares). NO conecte este a los enchufes de clavija de entrada PHONO del amplificador. Las tomas RCA de su NAD C 521BEE tienen códigos de colores a título de conveniencia. Las tomas Roja y Blanca son audio Derecho e Izquierdo respectivamente y la Amarilla para Salida Digital (Digital Out). Re. Cerciérese de que los cables y las tomas no estén dañados en modo alguno y que todas las tomas entren firmemente a fondo.

2. DIGITAL OUTPUT [SALIDA DIGITAL]

En este jack de salida se dispone de la señal de escucha digital. La salida de datos en serie se toma después de la corrección de errores pero antes de la conversión y filtraje de digital a analógico. La salida está aislada del transformador desde los circuitos incorporados de D-a-A. Se puede conectar a cualquier procesador de señal digital que sea conforme al standard Sony/Philips (SPDIF).

Para usar la salida digital, conecte u cable desde este jack al "CD Digital" o entrada equivalente de un procesador o grabadora digital. Para conseguir los mejores resultados el cable debe ser un cable coaxial de 75 ohmios del tipo usado para señales de vídeo con un enchufe fónico RCA en cada extremo. (Para distinguirlos de cables similares de enchufe fónico usados para señales audio analógicas, los cables de señal de vídeo y digital muchas veces tienen códigos de color con enchufes amarillos.)

3. CORDON DE LINEA CA

Conecte este cordón de alimentación eléctrica a una toma de pared de red eléctrica de CA o a una toma conveniente de CA en la parte trasera de su amplificador.

CONTROLES DEL PANEL DELANTERO**1. POWER ON/OFF****[ALIMENTACIÓN CONECTADA/DESCONECTADA]**

Pulse este botón para conectar la alimentación al tocadiscos. Púselo otra vez y suéltelo para desconectar la alimentación eléctrica. El visualizador se enciende para indicar que el equipo está conectado y preparado para uso.

2. CAJON DE DISCOS

Para escuchar un disco pulse el pulsador OPEN para abrir el cajón de disco. Coloque el CD dentro del gran entrante circular del cajón con su superficie de escucha transparente cara abajo. La etiqueta ha de estar cara ARRIBA. Los discos CD-3 ("singles" CD de 3 pulgadas) se pueden escuchar sin ayuda de un adaptador. Coloque el disco en el cajón, centrado en el entrante circular algo pequeño con su etiqueta cara ARRIBA.

NOTA: Este reproductor no se ha concebido para adaptar un "disco amortiguador" en un CD, ni para CDs apilados juntos. Reproduce CDs de audio y CD-RW, pero no los discos identificados como CD-V, DVD, CD-I, CD-ROM, o PHOTO CD. Consulte también el capítulo "Una nota sobre discos de audio CD-R y CD-RW"

3. VISUALIZADOR

El visualizador da información sobre el estado de escucha y sobre el lugar de la toma óptica en el disco. La información de track/time (pista/tiempo) visualizada se obtiene leyendo "sub-codes" (subcódigos) inaudibles que están en el disco.

TRACK NUMBER (NUMERO DE PISTA) Cada disco está segmentado con pistas numeradas cuando se hizo la grabación; típicamente cada pista numerada corresponde a una canción, movimiento sinfónico, etc. diferente. Estos números de pista están identificados en el paquete CD y están codificados en el disco por su fabricante. En algunos discos CD, a opción de fabricante, las pistas pueden subdividirse en secciones identificadas con números de Índice. Este tocadiscos no visualiza los números de Índice.

TIME (TIEMPO) Normalmente este visualizador muestra el tiempo transcurrido desde el comienzo de la pista actual. Usando el pulsador TIME usted puede cambiar el visualizador para que muestre el número restante de pistas y el tiempo de escucha que queda hasta el final del disco. Cuando usted carga un disco diferente y usa el pulsador OPEN (No. 4) para cerrar el cajón de discos, el visualizador muestra el número de pistas y el tiempo total de escucha de todas las pistas del disco.

REMAIN (RESTANTE) Se enciende REMAIN en la esquina inferior izquierda del visualizador si usted ha pulsado el pulsador TIME para mostrar el número restante de pistas y tiempo del disco.

REPEAT 1 (REPETICION 1) Se encienden "REPEAT" y "1" respectivamente en el centro y esquina superior izquierda durante la escucha de repetición de una pista individual. Se encienden "REPEAT" y "ALL" (todo) durante la escucha de repetición de todo el programa o disco.

RANDOM [Escucha al Azar] Cuando se ha seleccionado el modo Random (al azar) del C 521BEE, se muestra "RANDOM" en el Panel Visualizador.

CALENDAR DISPLAY TRACK LISTING (LISTA DE PISTAS DE VISUALIZADOR CALENDARIO) Visualiza una lista de pistas disponibles en el disco. Al escucharse cada pista su número se borra de la Lista de Pistas, dando una simple indicación de cuánto queda del disco que se escucha y cuánto tiempo queda. El número de la pista actual que se escucha centellea. El visualizador muestra hasta 16 pista numeradas.

MEMORY (MEMORIA) Durante la Escucha del Programa o la programación para Escucha del Programa se enciende MEMORY.

STATUS (ESTADO) La flecha que apunta a la derecha ► situada cerca del borde izquierdo del visualizador de tiempo se enciende durante.

PLAY (ESCUCHA) Dos barras verticales || indican que el tocadiscos está en PAUSE (pausa). En modo STOP el visualizador vuelve a mostrar el número total de pistas y el tiempo de escucha del disco.

no disc (Sin disco) Cuando no hay disco o cuando usted carga un disco que no puede leerse (porque está sucio o está cabeza abajo) se enciende "no disc" en el visualizador.

REMOTE RECEIVER (RECEPTOR REMOTO) Un sensor de infrarrojos situado en la parte derecha de la ventana del visualizador recibe órdenes desde el control remoto. Ha de haber un camino claro de línea de vista desde el control remoto hasta esta ventana; si tal camino está obstruido puede que no funcione el control remoto.

4. OPEN [ABRIR]

Pulse este pulsador para abrir el cajón de discos y púlselo otra vez para cerrar el cajón. Si se pulsa este pulsador mientras se está escuchando un disco, la escucha se para, se reajusta la toma en el comienzo del disco, y se abre el cajón. La apertura del cajón borra además la memoria del tocadiscos en cuanto a Program Play. Abierto del cajón de discos, el mecanismo de cierre del cajón también se puede activar pulsando PLAY o empujando suavemente el cajón hacia adentro.

NOTA: El cajón de discos se abre y cierra mediante un motor interno. No cierre el cajón con la mano cuando la alimentación eléctrica está desconectada.

Cuando se cierra el cajón el tocadiscos explora la TOC (Tabla De Contenido) del disco y visualiza el número total de pistas y el total del tiempo de escucha del disco. Si usted pulsa PLAY para cerrar el cajón se salta esta información y comienza inmediatamente la escucha en la Track 1 (Pista 1).

5. PLAY/PAUSE [ESCUCHA/PAUSA]

Este pulsador de doble función alterna entre el inicio y la parada de la escucha. Pulse para iniciar la escucha o reanudar la misma después de Pause. Durante la escucha, pulse este pulsador para parar temporalmente la escucha, manteniendo la toma óptica en su posición actual en el disco. El modo PLAY se identifica con una flecha que apunta a la derecha en el visualizador. El modo PAUSE se identifica con dos barras verticales. Para reanudar la escucha en el punto exacto en que se paró, pulse otra vez PLAY/PAUSE. Si usted no quiere reanudar la escucha en el mismo punto, puede usar los controles SKIP (salto) y SCAN (exploración) para llevar la toma a un punto de inicio diferente antes de pulsar otra vez PLAY.

6. TIME [TIEMPO]

El pulsador TIME se puede usar para visualizar el número de pista actual y el tiempo transcurrido desde el comienzo de la pista (Visualizador por defecto), o el número y tiempo de las pistas restantes del disco o programa seleccionado (Visualizador alterno). A partir del visualizador por defecto pulse el pulsador TIME para que se muestre el visualizador alterno. Pulse otra vez el pulsador TIME para volver al visualizador por defecto.

7. STOP [PARADA]

Si se pulsa una vez el pulsador STOP se para la escucha y se reajusta la toma al comienzo del disco. El visualizador vuelve a mostrar el número de pistas y el tiempo total de escucha del disco. Si se programó el tocadiscos CD para escuchar una selección de pistas, el programa queda retenido en la memoria del tocadiscos. Si se pulsa por segunda vez STOP se borra además el programa. Si se pulsa STOP dos veces también se desactiva la escucha Repeat y Random si se habían activado.

8. REPEAT [REPETICIÓN]

El pulsador activa el modo de Repeat Play, un ciclo de repetición continua. Pulse una vez el pulsador Repeat para seleccionar el modo REPEAT 1 en que se repite únicamente la pista actual una y otra vez. Si se pulsa el pulsador Repeat otra vez se selecciona el modo REPEAT ALL, en que se escucha el disco entero desde el comienzo hasta el fin, una y otra vez. Pulse el pulsador por tercera vez para cancelar el ciclo de repetición y volver al funcionamiento normal. El modo Repeat Play puede usarse en combinación con los modos Program y Random Play. Cuando el C 521BEE está en modo Repeat Play se muestran "REPEAT 1" o "ALL" en el Panel Visualizador.

Además el modo Repeat Play puede desactivarse pulsando dos veces el pulsador STOP. Al pulsarse por primera vez el pulsador STOP para la escucha; la segunda pulsación desactiva el modo Repeat Play.

9. RANDOM [ESCUCHA AL AZAR]

Si se activa el modo Random Play se escuchan todas las pistas del CD al azar. A partir de Stop, pulse primero el pulsador RANDOM y luego el pulsador PLAY/PAUSE para activar el modo Random Play. Durante la escucha normal también puede activarse el modo Random Play pulsando el pulsador RANDOM. Se para la escucha de la pista actual y comienza la primera pista seleccionada al azar.

El modo Random Play se puede usar en combinación con el modo Repeat Play All pero no con el modo Program Play. Cuando el C 521BEE está en modo Random se muestra "RANDOM" en el Panel Visualizador. Pulse otra vez el pulsador RANDOM para cancelar el modo Random Play y volver al modo Play normal. Además el modo Random Play puede también desactivarse pulsando el pulsador STOP dos veces. Con la primera pulsación del pulsador STOP se para la escucha; la segunda pulsación desactiva el modo Random Play.

10. SCAN ◀◀ ▶▶

El pulsador SCAN ◀◀ hace que la toma óptica explore hacia atrás a través de la grabación a alta velocidad. Este pulsador funciona únicamente mientras el tocadiscos está en PLAY o PAUSE. Después de una orden STOP, o después de cargar un nuevo disco, usted debe pulsar PLAY antes de que funcione el circuito de exploración. Si se inicia Scan mientras el tocadiscos está en PAUSE la exploración es silenciosa; si se inicia durante PLAY la música se escucha fragmentariamente con volumen reducido mientras el tocadiscos la explora. Durante los primeros 50 segundos aproximadamente de exploración de pistas la exploración tendrá 3 veces la velocidad, después de lo cual la velocidad de la exploración aumenta a unas 15 veces más rápida que la velocidad de escucha normal.

Use esta "exploración audible" para indicar al tocadiscos exactamente el punto en que usted desea reanudar la escucha.

Si usted explora hacia atrás hasta el comienzo del disco mientras escucha Track 1 (pista 1), el tocadiscos vuelve automáticamente a escucha normal.

El pulsador SCAN hace que la toma óptica explore rápidamente hacia adelante a través de la música. El comportamiento de esta función es similar al de SCAN ◀◀. Si usted explora hacia adelante hasta el final del disco mientras escucha la pista final, la exploración para y el visualizador Time muestra la tabla de contenido. (No hay modo de "envuelta".)

11. SKIP ◀◀ ▶▶

Durante la escucha pulse el pulsador SKIP ◀◀ una vez para saltar hacia atrás al comienzo de la pista actual. Pulse SKIP ◀◀ dos veces en rápida sucesión para saltar hacia atrás a la pista anterior o a la pista previa programada en modo Program Play, una vez para llegar al comienzo de la pista actual y otra vez para saltar a la pista previa. Pulsando continuamente el tocadiscos salta repetidamente a las pistas previas, concluyendo al comienzo del disco (Track 1) o la primera pista programada en modo Program Play.

Durante la escucha pulse el pulsador SKIP ▶▶ una vez para saltar al comienzo de la pista siguiente del disco o a la pista siguiente programada en modo Program Play. Así, para hacer muestreo de cada canción, pulse PLAY y luego dé ligeramente en SKIP después de haber escuchado unos segundos de cada pista. A partir de Stop, pulse el pulsador SKIP ▶▶ hasta que haya llegado a la pista a partir de la que desea comenzar a escuchar. Pulse Play para iniciar la escucha.

12. DIODO LED STAND-BY

Este diodo LED verde se enciende cuando el equipo se pone en On, y cambia a (diodo LED ámbar) en modo standby.

CONTROL REMOTO

Se provee un control remoto sin cable con su tocadiscos de compactos, que le permite a usted activar las funciones de escucha desde la comodidad de su sillón o virtualmente desde cualquier parte de la habitación. Para un funcionamiento fiable debe haber una camino de línea de visión sin obstáculos desde el control remoto hasta la parte delantera del tocadiscos CD. Si el tocadiscos no responde a las órdenes remotas puede ser que este camino de línea de visión esté obstruido por ropas, papel o mobiliario.

La mayoría de los pulsadores del equipo manual de control remoto tienen el mismo efecto que los pulsadores correspondientes del panel delantero del tocadiscos. Además el equipo manual de control está equipado con algunos pulsadores y funciones extra como el teclado numérico y las funciones Program.

POWER ON

Pulse este pulsador Verde para poner en on la alimentación del tocadiscos a partir de modo Standby. El diodo LED cambia de Ambar a Verde, y se enciende el visualizador EFL.

POWER OFF

Pulse este pulsador Rojo para poner en modo Standby a partir del modo Power ON. El diodo LED cambia de Verde a Ambar y el visualizador se oscurece.

TECLADO NUMERICO

Si se usa el teclado numérico de entrada directa (1 a 10; +10) hace que el tocadiscos salte directamente al comienzo de una pista numerada y comience a escucharla. Así para escuchar la pista Track 5, simplemente pulse 5. Para escuchar la pista Track 20, pulse: +10, 10. Para escuchar la pista Track 36, pulse: +10, +10, +10, 6.

PROGRAM

El tocadiscos CD C 521BEE permite escucha programada de hasta 20 pistas en cualquier orden que se desee. Para activar Program Play con su secuencia de pistas deseada en la memoria:

1. Pulse PROGRAM. Se enciende el indicador "MEMORY". El visualizador indica "Pr p:01", lo que significa que el tocadiscos está esperando la primera entrada de Program.
2. Use los pulsadores SKIP o el teclado Numérico de Entrada Directa para seleccionar la primera pista de la secuencia que usted ha planeado. El número de la pista seleccionada centellea en el visualizador.
3. Pulse PROGRAM para memorizar el número de pista seleccionada en la memoria. El visualizador vuelve a mostrar el modo Program-Entry y avanza a "Pr p:02", indicando que el tocadiscos está preparado para su segunda entrada.
4. Repita las Etapas 2 y 3 para seleccionar y memorizar otros números de pista en la memoria, hasta un máximo de 20 entradas. El visualizador muestra "FULL" (lleno) cuando se han entrado 20 pistas.
5. Si desea revisar o corregir sus entradas de programa, pulse repetidamente PROGRAM para poner en ciclo el visualizador con las mismas. Cuando se visualiza el número más alto del programa, usted puede dar entrada a pistas adicionales en la memoria repitiendo las Etapas Steps 2 y 3.

- Para escuchar el programa memorizado, pulse PLAY. En el visualizador aparecen "PROGRAM" y "MEMORY", indicando que se está escuchando un programa memorizado. Durante Program Play los pulsadores SKIP dan acceso únicamente a las pistas que hay en la lista del programa. Por lo tanto, si usted desea escuchar únicamente una porción de un programa memorizado, inicie la escucha y pulse SKIP ►► para saltar sobre las pistas programadas que usted no desea escuchar.
- Para terminar la escucha del programa, pulse STOP. No obstante, la lista de pistas memorizadas queda en la memoria, si desea escuchar otra vez el programa, simplemente pulse PLAY otra vez. Si desea corregir el programa, pulse repetidamente PROGRAM para revisar la lista y cambiarla. Para añadir pistas pulse el pulsador PROGRAM hasta que se visualice el número más alto del programa.
- Para borrar la memoria del programa, pulse dos veces STOP, OPEN/CLOSE para abrir el cajón, o desconectar la alimentación eléctrica [POWER].

El ejemplo siguiente presenta una ilustración de etapa por etapa de cómo programar e iniciar Program Play para escuchar las pistas 5, 23, 9, 16, y 1.

A partir de Stop:

Pulse en el control remoto	Visualizador
PROGRAM	Pr p:01
5	5 p:01
PROGRAM	Pr p:02
+10, +10, 3	23 p:02
PROGRAM	Pr p:03
9	9 p:03
PROGRAM	Pr p:04
+10, 6	16 p:04
PROGRAM	Pr p:05
1	1 p:05
PROGRAM	Pr p:06
PLAY	

La lista de pistas del visualizador Calendar (calendario) indica el programa seleccionado.

DELETE

El reproductor de CDs C 521BEE permite al usuario borrar pistas no deseadas en cualquier orden que se desee bien sea en Modo de Programa o en Modo de Parada (Stop Mode). Para borrar pistas, utilice la secuencia de operaciones que se indican a continuación:

En Modo de Programa (Program Mode):

- Pulse BORRAR (DELETE). El visualizador indica "dE d:01"; el reproductor se encuentra ahora dispuesto para la primera entrada de Borrar (Delete). "dE" cambiará a la primera pista de la memoria después de 1 segundo.
- Utilice los botones ◀◀ SKIP & SKIP ▶▶ para seleccionar la primera pista que desee borrar. Parpadeará el número de la pista.
- Pulse BORRAR (DELETE) otra vez para almacenar en la memoria el número de la pista seleccionado. El número de pista seleccionado se borrará en el visualizador. El visualizador avanzará a la siguiente posición. Este muestra que el reproductor está dispuesto para su segunda entrada pero no puede borrar pistas por encima de la pista 25.
- Repita las operaciones 2 y 3 para seleccionar para el borrado de los números de pista en la memoria, hasta un máximo de 20 entradas.
- Para reproducir el programa almacenado, pulse simplemente REPRODUCCION (PLAY). Durante la reproducción, los botones de SALTO (SKIP). Accederán a las pistas que aún forman parte de la lista. Las canciones borradas no se encuentran en la lista.

- Para borrar la memoria, pulse PARADA (STOP) dos veces, ABRIR/CERRAR (OPEN/CLOSE) para abrir el receptáculo, o para desconectar la alimentación.

En Modo Stop:

- Pulse DELETE. El visualizador indica "dE" con el tiempo total de pista. El tocadiscos está preparado para la primera introducción Delete.
- Use los pulsadores de teclado Numéricos de Introducción Directa para seleccionar la primera pista que desea borrar. El número de la pista seleccionada se borra en el visualizador de calendario y el tiempo total de escucha actualizado se muestra en el visualizador.
- Repita las Etapas 2 para seleccionar los números de pista que desea borrar, hasta un máximo de 20 introducciones.
- Para escuchar las pistas restantes, simplemente pulse PLAY. Durante la escucha los pulsadores SKIP dan acceso únicamente a las pistas todavía en la lista. Las canciones borradas no están en la lista.
- Para limpiar la memoria, pulse OPEN/CLOSE para abrir el cajón, o ponga en off la alimentación.

El visualizador Calendario indica la lista de pistas que quedan. Termina la escucha, el C 521BEE para automáticamente, y el visualizador muestra otra vez todas las pistas contenidas en el CD insertado.

NOTA: En el modo Program-entry los pulsadores SKIP ◀◀ y ▶▶ tienen función de "envuelta": si usted pulsa repetidas veces SKIP Back (◀◀) a partir de la pista Track 01, el número se cuenta descendientemente a partir de la pista final del disco. Esto proporciona un modo cómodo de seleccionar pistas con número alto.

INSTALACION Y CAMBIO DE PILAS

El control remoto necesita dos pilas de 1,5-voltios y tamaño AAA (esto es, UM-4 o IEC RO3). Recomendamos las pilas alcalinas para obtener máxima duración de funcionamiento. Para abrir el compartimento de pilas coloque la punta de su dedo en el entrante de la parte trasera del control remoto, empuje el borde flexible de la cubierta de las pilas y levante la cubierta. Instale pilas nuevas, orientándolas como se muestra en el diagrama que hay dentro del compartimento.

Los muelles de bobina deben contactar el extremo (-) de cada pila. Empuje otra vez la cubierta del compartimento de pilas y presiónela suavemente hasta que se fije. En algunos casos, la corrosión o aceite de las huellas dactilares en los contactos de las pilas pueden hacer que funcionen defectuosamente. Quite las pilas, frote los contactos metálicos de ambos extremos de cada pila con un paño limpio o una goma de borrar lápiz, y vuelva a instalar las pilas, teniendo cuidado de orientarlas correctamente.

DISCOS DE AUDIO CD-R & CD-RW

El C 521BEE sirve para escuchar discos de audio CD-R & CD-RW que se han grabado con un ordenador o grabadora de CD. La calidad de los discos de audio CD-R & CD-RW varía mucho, lo que puede afectar a su capacidad de ser escuchados.

Algunos factores que pueden afectar la capacidad de ser escuchados:

- La calidad del disco mismo. Los discos en blanco CD-R & CD-RW producidos por compañías renombradas dan mejores resultados que los que no son de marca.
- La calidad de la grabadora CD o la reescribidora de CD con ordenador. Algunas grabadoras y escribadoras producen mejores resultados que otras.
- El CD-R se creó con escritura de alta velocidad. En general, la calidad de un CD-R & CD-RW es mejor si se produce a velocidad más baja en lugar de una velocidad más alta en la misma grabadora o reescribidora.

CAPACIDAD DE ESCUCHA DE DISCOS

Este tocadiscos CD se ha diseñado para escuchar material de programas musicales solamente, con discos CD, CD-R y CD-RW grabados en formato de Disco compacto de 16 bits 44,1 kHz PCM. No se ha diseñado para escucha de cualquier otro formato de disco, ni para discos con datos o imágenes.

ADVERTENCIA: Si se intenta escucha de discos que no tienen programas musicales se puede dañar su sistema de escucha.

MANTENIMIENTO

A intervalos periódicos, abra el cajón de discos y límpielo con un paño húmedo para quitar cualquier polvo suelto.

MANEJO DE DISCOS COMPACTOS

Maneje con cuidado los Discos Compactos. La escucha de un disco no queda empeorada por pequeñas partículas de polvo, una pocas huellas dactilares, o pequeños arañazos. Pero grandes arañazos, o una capa gruesa de huellas dactilares aceitosas, puede impedir que el tocadiscos siga las pistas del disco. (Incidentalmente, aunque la toma óptica que sigue las pistas "hace escuchar" el disco a través de su lado claro, la superficie efectiva de los datos está incorporada directamente debajo de la etiqueta, protegida sólo por una cobertura muy fina de laca. Por lo tanto, un arañazo que corta la etiqueta puede dañar el disco más que un arañazo similar sobre la superficie transparente "que se escucha". Por lo tanto usted debe tratar ambas superficies del disco con cuidado.) Los arañazos severos o las huellas dactilares pueden hacer que el tocadiscos no pueda seguir las pistas (saltando hacia adelante, o repitiendo el mismo pasaje). Un daño menos severo puede producir muy breves ráfagas de ruido de alta frecuencia. Los circuitos de seguimiento de pista y corrección de errores de este tocadiscos CD NAD son especialmente sofisticados, proveyendo un seguimiento seguro de discos imperfectos que no pueden escucharse en algunos otros tocadiscos. No obstante, no debe abusarse de los discos ni manejarse sin cuidado. Para los mejores resultados, tome el disco únicamente por sus bordes.

LIMPIEZA DE LOS DISCOS

Los discos sucios se pueden limpiar pasando un paño blando, seco o humedecido con agua. NO use productos de limpieza de discos LP convencionales (soluciones de limpieza, rociados, paños tratados, o preparaciones antiestáticas), ni algún disolvente químico (alcohol, bencina, y sustancia similares). Un disco muy sucio se puede lavar con un rociado de agua templada, posiblemente con una pequeña cantidad de detergente suave de cocina añadida, y luego secarlo con una toalla limpia y blanda..

Cuando limpie el disco, use solamente pasadas RADIALES (desde el centro hasta el borde). No use jamás un movimiento de limpieza circular como el que se usa para limpiar los discos LP ordinarios, porque al limpiar el disco hay riesgo de arañarlo. Un arañazo radial hará menos daño porque afecta únicamente a una pequeña porción de cada pista circular de datos que se puede compensar plenamente por circuitos de corrección de errores del tocadiscos. Pero un arañazo circular que sigue una pista de datos puede dañar un segmento continuo tan largo de datos que no puede corregirse.

SOBRE LA TOMA OPTICA

El tocadiscos de Discos Compactos usa un láser de diodo semiconductor de estado sólido, montado sobre un servomecanismo de seguimiento, para escuchar el disco. El láser ilumina la pista de microscópicas perforaciones que representa los bitios de datos digitales, mientras que los fotodiodos detectan la iluminación reflejada desde el disco y la convierten en una señal electrónica que luego se descodifica para recuperar la forma de onda musical en cada canal estéreo.

Usted no puede ver el láser funcionando porque opera con una longitud de onda de 7800 Angstroms, que está en los infrarrojos y por lo tanto es invisible al ojo humano.

El tocadiscos de Discos Compactos es completamente seguro para que lo usen los niños. El láser funciona con corriente muy baja y está escondido dentro del mecanismo del tocadiscos. Aunque se desmonte el tocadiscos, el láser permanece sellado dentro del sistema óptico que hace que su luz se enfoque únicamente en 1 milímetro desde la lente y luego se disperse rápidamente, reduciendo intensidad a niveles despreciables.

INVESTIGACION DE AVERIAS		
SINTOMA	CAUSA POSIBLE	SOLUCION
No hay alimentación cuando se pone en On POWER	<ul style="list-style-type: none"> • Conexión defectuosa o sin enchufe de alimentación en la toma CA 	<ul style="list-style-type: none"> • Inserte el enchufe de alimentación firmemente en la toma CA
No comienza la escucha del disco	<ul style="list-style-type: none"> • El disco está cargado cabeza abajo • El disco está demasiado sucio 	<ul style="list-style-type: none"> • Vuelva a cargar el disco con el lado de la etiqueta ARRIBA • Limpie el disco
No hay sonido	<ul style="list-style-type: none"> • Conexiones de cable de audio incorrectas • Funcionamiento incorrecto de amplificador/receptor 	<ul style="list-style-type: none"> • Conecte el tocadiscos CD correctamente al amplificador/receptor • Asegúrese de que el selector de entrada de su amplificador o receptor está puesto para CD
El sonido salta	<ul style="list-style-type: none"> • El tocadiscos CD está sujeto a vibración o choque físico desde fuentes externas 	<ul style="list-style-type: none"> • Cambie el lugar de la instalación
El control remoto no funciona	<ul style="list-style-type: none"> • Las pilas del equipo manual de Control Remoto están gastadas • Objeto que obscurece el sensor remoto del tocadiscos 	<ul style="list-style-type: none"> • Cambie las pilas • Quite cualquier objeto que esté directamente enfrente del tocadiscos
Se escucha un sonido de "zumbido"	<ul style="list-style-type: none"> • Conexiones de cable sueltas 	<ul style="list-style-type: none"> • Compruebe las conexiones de cable, particularmente los cables de conexión fónica

AVVIAMENTO RAPIDO

1. Collegare un doppio cavo RCA-to-RCA dai jack Line Output L (sinistro) ed R (destra) ai corrispondenti inputs CD sul Vs. amplificatore.
2. Allacciare il cavo di alimentazione C.A.
3. Premere il pulsante "POWER" per accendere il riproduttore.
4. Premere "OPEN" per aprire il cassetto portadisco.
5. Infilare un CD (lato etichetta rivolto in alto) nel recesso circolare del portadisco. Assicurarsi che il disco sia centrato nel recesso.
6. Premere "PLAY/PAUSE". Il cassetto si chiude automaticamente; la riproduzione del disco è immediata.
7. E' possibile premere in qualsiasi momento SKIP per selezionare piste differenti del disco.
8. Premere "PLAY/PAUSE" se si vuole arrestare provvisoriamente l'ascolto, mantenendo il pick-up nella posizione corrente sul disco. (Premere "PLAY/PAUSE" un'altra volta quando si desidera riprendere l'ascolto. Premere STOP se si vuole terminare l'ascolto e riportare il pick-up all'inizio del disco.

NOTE RELATIVE ALL'INSTALLAZIONE

Collocare il riproduttore per CD NAD C 521BEE su una superficie piana e priva di vibrazioni. (Se il riproduttore viene sottoposto a forti vibrazioni o viene fatto funzionare non in piano si possono riscontrare problemi di salto o allineamento imperfetto rispetto alla pista). Il riproduttore può essere montato a torre con altri componenti stereo, a patto che vi sia ventilazione adeguata tutto intorno. Se il riproduttore viene collocato molto vicino ad una radio (AM od FM) o ad un televisore, il funzionamento dei suoi circuiti digitali può dare interferenze statiche che pregiudicano la ricezione di segnali deboli. Se ciò ha luogo, scostare il riproduttore per CD dagli altri accessori oppure spegnerlo quando si ascoltano trasmissioni radio o alla televisione.

COLLEGAMENTI PANNELLO POSTERIORE

1. OUTPUT DI LINEA

Collegare un cavo da questi jack all'amplificatore. Collegare una estremità di una piattina RCA-RCA nei jack di uscita L [sinistro] (superiore) ed R [destra] (inferiore). Collegare l'altra estremità del cavo all'entrata CD dell'amplificatore stereo a qualsiasi altro jack di entrata di livello (ad esempio le entrate AUX - ausiliari). NON collegare questo cavo ai jack di entrata PHONO dell'amplificatore. Le prese RCA sul NAD C 521BEE sono contraddistinte da codice colori per maggior comodità. Rosso e bianco indicano l'audio lati Destro e Sinistro ed il giallo è per il Digital Out. Assicurarsi che i cavi e le prese non siano danneggiati in alcun modo e che tutte le prese siano ben calzate.

2. OUTPUT DIGITALE

Il segnale digitale di playback è ottenibile sul jack di uscita. L'output dei dati seriali viene prelevato dopo l'eventuale correzione degli errori, ma prima della conversione digitale/analogica e filtraggio. L'output è isolato dal trasformatore dai circuiti integrati D ad A. Può essere collegato a qualsiasi elaboratore per segnali digitali conforme agli standard Sony/Philips (SPDIF).

Per utilizzare l'output digitale, collegare un cavo da questo jack all'input marcato "CD digital" od equivalente sull'elaboratore digitale o registratore. Per assicurare il risultato migliore possibile, il cavo deve essere un coassiale da 75 ohm, del tipo impiegato per video segnali, con presa fono alle due estremità. (Per poterli distinguere dai cavi simili impiegati per i segnali analogici per l'audio, i cavi per i segnali video e digitali sono di solito dotati di prese color giallo).

3. CAVO D'ALIMENTAZIONE C.A.

Collegare questo cavo di alimentazione ad una presa C.A. a muro o presa ausiliaria C.A. sul retro dell'amplificatore.

COMANDI PANNELLO ANTERIORE

1. "POWER ON/OFF" (ACCESO/SPENTO)

Premere questo pulsante per portare l'alimentazione al riproduttore per dischi. Premere nuovamente e rilasciare per spegnere. Il display si accende per confermare che l'unità è accesa e pronta per l'uso.

2. CASSETTO PORTADISCO

Per l'ascolto di un disco, premere il pulsante "OPEN" per aprire il cassetto portadisco. Infilare il CD nel recesso circolare grande del cassetto, tenendo la faccia trasparente (quella di riproduzione) rivolta in giù. L'etichetta deve essere IN ALTO.

I dischi CD-3 (i "singles" da 3 pollici) possono essere ascoltati direttamente, senza l'impiego di un adattatore. Infilare il disco nel cassetto, centrandolo nel recesso circolare più piccolo e tenendo l'etichetta rivolta in ALTO.

NOTA: Questo riproduttore non è stato progettato per accettare un "disco stabilizzatore" collocato su un CD, né due CD collocati uno sull'altro. Serve per la riproduzione di CD audio e CD-RW, ma non dei dischi marcati CD-V, DVD, CD-I, CD-ROM, oppure PHOTO CD. Consultare anche il Capitolo "Nota sui dischi audio CD-R e CD-RW"

3. DISPLAY

Il display fornisce informazioni in merito alla condizione d'ascolto del disco e alla posizione del pick-up ottico sul disco. Le informazioni visualizzate - pista/tempo - sono ottenute leggendo "sottocodici" inudibili nel disco.

NUMERO PISTA Ogni disco è sezionato in una serie di piste numerate durante la registrazione; in linea di massima, ciascuna pista numerata corrisponde ad una canzone o tempo differente di una sinfonia, ecc. Questi numeri di pista sono identificati sulla confezione del CD e sono codificati nel disco dal fabbricante. Alcuni CD (secondo le preferenze del fabbricante) hanno piste suddivise in sezioni, identificate da numeri di indice. Questo riproduttore non visualizza i numeri di indice.

ORE Nel modo convenzionale, questo display riporta in tempo trascorso dall'inizio della pista in ascolto. Impiegando il pulsante "TIME" si può ottenere la visualizzazione del numero restante di piste e del tempo d'ascolto prima della fine del disco. Quando si carica un disco differente e si impiega il pulsante "OPEN" (No. 4) per chiudere il cassetto portadisco, il display riporta il numero delle piste e il tempo totale d'ascolto di tutte le piste del disco.

"REMAIN" (REstante) "REMAIN" si accende nell'angolo inferiore sinistro del display se si è premuto il pulsante "TIME" per evidenziare il numero restante di piste e il tempo d'ascolto del disco.

"REPEAT" 1 "REPEAT" ed "1" si accendono rispettivamente nell'angolo sinistro superiore e al centro durante l'ascolto ripetuto di una singola pista. "REPEAT" ed "ALL" si accendono durante la riproduzione ripetuta dell'intero programma oppure disco.

"RANDOM" (CASUALE) Una volta selezionato il modo randomizzato del C 521BEE, la dicitura "RANDOM" compare sul display.

DISPLAY CALENDARIO - DISTINTA DELLE PISTE Visualizza una distinta delle piste del disco. A mano a mano che ciascuna pista viene ascoltata, il relativo numero è oscurato sulla distinta delle piste, dando così una semplice indicazione di quanto è stato riprodotto e quanto deve ancora essere riprodotto. Il numero della pista in ascolto lampeggia. Il display indica fino a sedici piste numerate.

MEMORIA Durante l'ascolto del programma "Program Play" oppure la programmazione di "Program Play", la scritta "MEMORY" si accende.

CONDIZIONE Una freccia orientata verso destra ►, accanto al lato sinistro del display dell'orologio, si accende durante "PLAY" (ASCOLTO). Due linee verticali || indicano che il riproduttore è in attesa ("PAUSE"). Nel modo "STOP", il display torna ad indicare il numero totale delle piste e il tempo totale di ascolto del disco.

"no DISC" (SENZA DISCO) Quando non vi è un disco caricato o quando quello inserito non può essere letto (perché è sporco oppure è stato infilato capovolto), la scritta "no DISC" compare sul display.

TELERICEVITORE Un sensore ad infrarossi (sito sul lato destro della finestrella del display) riceve i comandi dal telecomando. La retta tra il telecomando e questa finestrella non deve essere ostruita; se il percorso è ostruito, il telecomando non sempre funziona come prescritto.

4. ACCESO

Premere questo pulsante per aprire il cassetto portadischi; riprenderlo per chiudere il cassetto. Se il pulsante viene premuto durante l'ascolto di un disco, il playback allora si arresta: il pick-up ritorna all'inizio del disco e il cassetto si apre. Aprendo il cassetto si cancella la memoria per "Program Play". Quando il cassetto del disco viene aperto, il meccanismo di chiusura del cassetto può essere attivato premendo "PLAY" oppure pressando delicatamente il cassetto verso l'interno.

NOTA: Il cassetto portadischi viene aperto e chiuso tramite un motorino interno. Non chiudere il cassetto a mano quando il riproduttore è spento.

Quando il cassetto si chiude, il riproduttore legge la pista dell'indice dei brani incisi sul disco (detta TOC, ovvero Tabella dell'Indice) e visualizza il numero delle piste unitamente alla durata totale d'ascolto del disco. Se si preme "PLAY" per chiudere il cassetto, questa informazione allora viene tralasciata: l'ascolto inizia immediatamente dalla pista 1 (Track 1).

5. "PLAY/PAUSE" (ASCOLTO/PAUSA)

Questo pulsante bivalente permette di passare alternatamente da "avviamento" ed "arresto" del playback. Premere per iniziare l'ascolto o per riprenderlo dopo l'impiego del pulsante Pausa. Durante l'ascolto si può arrestare il playback in qualsiasi momento premendo questo pulsante: il pick-up ottico rimarrà "sospeso" nel punto esatto di interruzione. Il modo "PLAY" è identificato da una freccia rivolta verso destra nel display (►). Il modo di attesa "PAUSE" è confermato da due barrette verticali (||). Per ripristinare l'ascolto partendo esattamente dal punto di interruzione, premere nuovamente "PLAY/PAUSE". Se non si desidera riprendere l'ascolto nel medesimo punto di interruzione, impiegare allora i comandi "SKIP" ("salta") e "SCAN" ("scansione") per portare il pick-up ad un punto differente del disco: premere infine "PLAY" per l'ascolto.

6. ORE

Il pulsante "TIME" può essere impiegato per visualizzare il numero della pista in ascolto e il tempo trascorso dall'inizio della pista (display di base), oppure il numero e il tempo delle altre piste del disco o programma selezionato (display alternativo). Partendo dal display di base, premere il pulsante "TIME" per attivare il display alternativo. Premere il pulsante "TIME" un'altra volta per ritornare al display di base.

7. STOP

Premendo una volta il pulsante STOP si arresta l'ascolto e si reimposta il pick-up all'inizio del disco. Il display ritorna ad evidenziare il numero delle piste e il tempo totale d'ascolto del disco. Se il riproduttore per CD è stato programmato per riprodurre una selezione particolare di piste, il programma allora viene iscritto nella memoria del riproduttore. Premendo STOP una seconda volta si cancella il programma. Premendo STOP due volte si disattivano le funzioni di Ripetizione ed Ascolto Randomizzato se queste erano attivate.

8. RIPETERE

Questo pulsante abilita il modo Riproduzione Ripetuta - un ciclo senza fine di ripetizione. Premere una volta il pulsante "Repeat" per selezionare il modo di ripetizione "REPEAT 1" che permette l'ascolto continuo solo della pista attuale. Premendo un'altra volta il pulsante di ripetizione si seleziona il modo "REPEAT ALL" (ripetere tutto): l'intero disco pertanto viene riprodotto, dall'inizio alla fine, all'infinito. Premere il pulsante "REPEAT" una terza volta per cancellare il ciclo di ripetizione "REPEAT CYCLE" e ritornare al funzionamento normale.

Il modo "Repeat Play" può essere impiegato unitamente ai modi "Program" e "Random Play". Quando il C 521BEE si trova nel modo "Repeat Play", "REPEAT 1" oppure "ALL" viene visualizzato sul display. Il modo "Repeat Play" può essere disinserito inoltre premendo due volte il pulsante STOP. Premendo per la prima volta il pulsante STOP si arresta l'ascolto; premendolo una seconda volta si disinscrive il modo "Repeat Play".

9. "RANDOM" (CASUALE)

Inserendo il modo per l'ascolto randomizzato "Random Play" si ottiene la riproduzione di tutte le piste del CD (una volta) a casaccio. Da STOP, premere per prima cosa "RANDOM" e poi "PLAY/PAUSE" per inserire il modo "Random Play". Durante l'ascolto normale è possibile inserire il modo per l'ascolto randomizzato premendo il pulsante "RANDOM". La pista in ascolto viene tacitata ed inizia la riproduzione della prima pista scelta a casaccio.

Il modo "Random Play" può essere impiegato insieme a quello "Repeat Play All" (ripetere la riproduzione di tutte le piste) ma non con il modo "Program Play". Quando il C 521BEE si trova nel modo randomizzato, la dicitura "RANDOM" compare sul quadro del display. Premere nuovamente il pulsante RANDOM per annullare la riproduzione randomizzata e ritornare al modo normale di ascolto. Il modo "Random Play" può essere disattivato premendo due volte il pulsante STOP. Premendo per la prima volta il pulsante STOP si arresta l'ascolto; premendolo una seconda volta si disinserisce il modo "Random Play".

10. SCANSIONE ◀◀ ▶▶

Il pulsante "SCAN ◀◀" fa sì che il pick-up ottico effettui la retroscansione della registrazione ad alta velocità. Questo pulsante funziona soltanto quando il riproduttore si trova nei modi "PLAY" oppure "PAUSE". Dopo un comando di arresto con "STOP", o dopo avere inserito un nuovo disco, occorre premere "PLAY" prima che il circuito di scansione possa funzionare. La scansione è silenziosa se viene iniziata mentre il riproduttore è fermo con il comando "PAUSE"; attivando durante "PLAY", la musica viene ascoltata solo frammentariamente a basso volume mentre il riproduttore effettua la sua scansione. Per circa i primi cinquanta secondi della pista, la scansione avviene ad una velocità tre volte superiore quella convenzionale: in seguito, la velocità di scansione aumenta a circa quindici volte quella normale d'ascolto.

Impiegare questa "scansione udibile" per portarsi perfettamente sul punto di ripristino dell'ascolto. Se si effettua la retroscansione fino all'inizio del disco durante l'ascolto della Pista 1, il riproduttore ritorna automaticamente al playback normale.

Il pulsante "SCAN ▶▶" fa sì che il pick-up ottico effettui rapidamente la scansione in avanti lungo il brano musicale. Questa funzione si comporta in modo simile a quello indicato per "SCAN ◀◀". Se si effettua la scansione in avanti fino alla fine del disco durante l'ascolto della pista finale, l'escursione allora viene interrotta e il display "Time" riporterà il TOC. (Non vi è modo di "riavvolgimento").

11. SKIP ◀◀ ▶▶

Durante l'ascolto, premere una volta il pulsante "SKIP ◀◀" to ritornare all'inizio della pista in ascolto. Premere due volte "SKIP ◀◀" in rapida successione per ritornare alla pista precedente o alla pista programmata in precedenza nel modo "Program Play": premere una volta per tornare all'inizio della pista corrente e poi ripremere per passare a quella precedente. Premendo continuamente, il riproduttore passa direttamente e ripetutamente alle piste precedenti, terminando all'inizio del disco (Track 1) oppure alla prima pista programmata nel modo "Program Play".

Durante l'ascolto, premere una volta il pulsante "SKIP ▶▶" per passare all'inizio della pista successiva del disco, oppure alla pista programmata successiva nel modo "Program Play". Pertanto, se si desidera "campionare" ogni brano del disco, premere "PLAY" e poi tasteggiare "SKIP" dopo l'ascolto di un paio di secondi di ciascuna pista. Da Stop, premere il pulsante "SKIP ▶▶" finché non si è giunti alla pista dalla quale si desidera iniziare l'ascolto. Premere "PLAY" per iniziare l'ascolto.

12. LED STANDBY

Questo LED di colore verde si illuminerà all'accensione del riproduttore e farà passare in (LED color ambra) al modo standby attivo.

TELECOMANDO

Il Vs. riproduttore per CD è dotato di un telecomando senza fili che Vi permette di azionare tutte le funzioni di playback senza doverVi scomodare dalla poltrona preferita o da qualsiasi altra parte della stanza. Per un funzionamento perfetto ricordare che non vi devono essere ostruzioni tra il telecomando e il pannello anteriore del riproduttore per CD. Se il riproduttore non esegue i telecomandi, controllare che la traiettoria tra il telecomando e il riproduttore non sia ostruita da abiti, carta, tende, tavolini, ecc.

La maggior parte dei pulsanti sul telecomando ha lo stesso effetto dei corrispondenti pulsanti sul pannello anteriore del riproduttore per dischi. Inoltre, il trasmettitore è dotato di alcuni pulsanti e funzioni supplementari, quali ad esempio la tastiera numerica e le funzioni di programmazione "Program".

POWER ON (ACCENDI)

Premere questo pulsante di colore verde per accendere l'alimentazione al riproduttore di dischi dal modo Standby. Il LED cambierà dal color ambra al verde ed il display EFL si accenderà.

POWER OFF (SPEGNI)

Premere questo pulsante di colore rosso per passare dal modo Standby dal modo Power ON. Il LED cambierà dal colore verde ad ambra ed il display si oscurerà.

TASTIERA NUMERICA

Come impiegare la tastiera numerica per iscrivere direttamente (1 a 10; +10) fa sì che il riproduttore salti direttamente all'inizio di una pista numerata ed inizi a riprodurre. In altre parole, per ascoltare la pista 5 basta premere 5. Per l'ascolto della Pista 20, premere: +10, 10. Per l'ascolto della Pista 36, premere: +10, +10, +10, 6.

PROGRAMMA

Il riproduttore per CD C 521BEE permette la riproduzione programmata fino a venti piste in qualsiasi ordine preferito. Per inserire l'ascolto programmato "Program Play" con la sequenza desiderata delle varie piste:

1. Premere "PROGRAM". L'indicatore "MEMORY" si accenderà. Il display indica "Pr p: 01", vuol dire che il riproduttore attende il primo dato del Programma.
2. Impiegare il pulsanti "SKIP" oppure la tastiera numerica per iscrizione diretta per selezionare la prima pista nella sequenza programmata. Il numero della pista selezionata lampeggerà sul display.
3. Premere "PROGRAM" per iscrivere il numero della pista selezionata nella memoria. Il display ritorna quindi al modo di iscrizione del programma "Program-Entry" e passerà poi a "Pr p: 02", per indicare che il riproduttore è pronto per la seconda iscrizione.
4. Ripetere le operazioni 2 e 3 per selezionare ed iscrivere altri numeri di pista nella memoria, fino al massimo di 20. Il display indicherà "FULL" quando sono state iscritte tutte le venti piste.
5. Se si desidera prendere in rassegna oppure modificare le varie iscrizioni del programma, premere ripetutamente "PROGRAM" per ottenere la scansione ciclica delle iscrizioni. Quando viene visualizzato il numero di programma più alto si possono allora iscrivere piste supplementari nella memoria: basta ripetere le operazioni 2 e 3.
6. Per ascoltare il programma memorizzato, premere "PLAY". "PROGRAM" e "MEMORY" compaiono sul display: ciò indica che un programma memorizzato è in corso di riproduzione. Durante l'ascolto di un programma, il pulsanti "SKIP" accedono solo le piste nella distinta del programma. Pertanto se si desiderasse ascoltare solo una parte del programma memorizzato, iniziare l'ascolto e premere "SKIP ►►" per saltare quelle piste programmate che non si desidera ascoltare.
7. Per terminare l'ascolto programmato, premere STOP. La distinta iscritta delle varie piste rimane valida in memoria; se si desidera ascoltare il programma un'altra volta, premere semplicemente "PLAY". Se si desidera modificare il programma, premere ripetutamente "PROGRAM" per prendere in rassegna la distinta e procedere ai cambiamenti. Per aggiungere piste, premere il pulsante "PROGRAM" finché non viene visualizzato il numero più alto di programma.
8. Per cancellare la memoria del programma, premere STOP due volte, "OPEN/CLOSE" per aprire il cassetto, oppure spegnere l'alimentazione con "POWER".

L'esempio seguente rappresenta un'illustrazione passo passo per come programmare ed attivare l'ascolto del programma per le piste 5, 23, 9, 16 ed 1.

Da Stop:

Premere il telecomando	Display
PROGRAMMA	Pr p: 01
5	5 p: 01
PROGRAMMA	Pr p: 02
+10, +10, 3	23 p: 02
PROGRAMMA	Pr p: 03
9	9 p: 03
PROGRAMMA	P p: 04
+10, 6	16 p: 04
PROGRAMMA	Pr p: 05
1	1 p: 05
PROGRAMMA	Pr p: 06
"PLAY" (ASCOLTO)	

La distinta delle piste con display del calendario indicherà il programma selezionato.

DELETE (CANCELLA)

Il CD Player C 521BEE consente all'utente di cancellare piste non desiderate secondo un ordine qualsiasi in modo Program (Programmi) o in modo Stop (Arresto). Per cancellare le piste, usare la sequenza di comandi fornita di seguito.

In Modo Program :

1. Premere DELETE (CANCELLARE). Il display indica "dE d:01"; il riproduttore è ora pronto per la prima voce Delete. "dE" modificherà alla prima pista di memoria dopo 1 secondo.
2. Usare i pulsanti ◀◀ SKIP & SKIP ►► per selezionare la prima pista che si desidera cancellare. Il numero della pista lampeggerà.
3. Premere nuovamente DELETE per memorizzare il numero della pista selezionata. Il numero della pista selezionata sarà cancellato dal display. Il display avanzerà alla ubicazione successiva. Ciò ad indicare che il riproduttore è pronto per la seconda voce ma non può cancellare piste oltre le 25.
4. Ripetere i passi 2 e 3 per selezionare e cancellare i numeri delle piste dalla memoria, fino ad un massimo di 20 voci.
5. Per riprodurre il programma memorizzato, premere semplicemente PLAY. Durante la riproduzione, i pulsanti SKIP accedono soltanto alle piste ancora in elenco. Le canzoni cancellate non saranno più ascoltate.
6. Per cancellare la memoria, premere STOP per aprire il cassetto, oppure spegnere l'alimentazione.

In modo Stop:

1. Premere DELETE. Il display indica "dE " con il tempo delle piste totale. Il riproduttore è pronto per la prima voce da cancellare.
2. Usare i pulsanti del tastierino numerico ad inserimento diretto per selezionare la prima pista che si desidera cancellare. Il numero della pista selezionata sarà cancellato nel display a calendario e comparirà il tempo di riproduzione totale aggiornato.
3. Ripetere il passo 2 per selezionare i numeri delle piste che si desiderano cancellare, fino ad un massimo di 20 voci.
4. Per riprodurre le piste rimanenti, premere semplicemente PLAY. Durante la riproduzione, i pulsanti SKIP accedono solo alle piste ancora in elenco. Le canzoni cancellate non compaiono in elenco.
5. Per ripulire la memoria, premere OPEN/CLOSE per aprire il cassetto o spegnere l'alimentazione.

Il display Calendario indicherà la lista delle piste rimanenti. Alla fine della riproduzione, il C 521BEE si arresterà automaticamente ed il display mostrerà nuovamente tutte le piste contenute nel CD inserito.

NOTA: Nel modo di iscrizione "Program-entry", i pulsanti SKIP ◀◀ e ▶▶ hanno la medesima funzione di riavvolgimento: se si fa lo SKIP Back continuo ◀◀ dalla pista Track 01, il numero conta all'inverso partendo dalla pista finale del disco. In questo modo si possono selezionare piste con numero alto.

INSTALLAZIONE E SOSTITUZIONE DELLE BATTERIE

Il telecomando richiede due celle da 1,5 volt, formato AAA (cioè UM-4 oppure IEC RO3). Si raccomandano celle alcaline per garantire la massima durata. Per aprire lo scomparto portabatterie, appoggiare le dita nel recesso sul retro del telecomando, quindi spingere contro il bordo flessibile del copribatteria e sfilarlo verso l'alto. Installare sempre celle nuove, orientandole come illustrato nello schema all'interno dello scomparto.

Le molle spiraliformi devono fare contatto con il lato negativo (-) di ciascuna cella. Premere lo sportellino del portabatterie finché non è scattato. In alcuni casi, il funzionamento scadente può essere dovuto a corrosione o ditate di unto sui contatti della batteria. Staccare entrambe le celle, sfregare i contatti metallici alle estremità di ciascun cella impiegando un panno pulito od una gomma, quindi rimontare le celle facendo attenzione affinché siano infilate come prescritto.

DISCHI CD-R E DISCHI AUDIO CD-RW

Il C 521BEE può riprodurre dischi audio CD-R che sono stati registrati impiegando un registratore per CD a mezzo computer. La qualità dei dischi audio CD-R varia enormemente, pertanto il loro ascolto non è identico.

Alcune cause che pregiudicano l'ascolto:

- La qualità del disco. In linea di massima, i dischi CD-R & CD-RW realizzati da società serie danno risultati migliori rispetto a quelli di marca inferiore.
- La qualità del registratore per CD o CD per lettura e scrittura tramite computer. Alcuni registratori ed incisori danno risultati migliori di altri sul mercato.
- Il CD-R & CD-RW è stato realizzato per incisione super veloce. In linea di massima, la qualità di un CD-R è migliore a bassa velocità piuttosto che ad alta velocità sul medesimo registratore oppure lettore/incisore.

RIPRODUCIBILITÀ DEL DISCO

Questo CD player è stato progettato per riprodurre esclusivamente materiale di programmi musicali su dischi CD, CD-R e CD-RW registrati in formato compact disc PCM 44,1 kHz a 16 bit. Non è stato progettato per riprodurre alcun altro tipo di formato disco, o dischi contenenti dati o immagini.

AVVERTENZA: Il tentativo di riprodurre dischi contenenti programmi non musicali potrebbe danneggiare l'impianto di riproduzione.

MANUTENZIONE

E buona norma aprire il cassetto portadischi, di tanto in tanto, e pulirlo con un panno inumidito in modo da eliminare tutta la polvere.

COME MANEGGIARE I COMPACT DISC

Maneggiare i compact disc con la massima attenzione. Piccoli granelli di polvere, graffietti o ditate leggere non pregiudicano il playback del disco. Peraltro graffi grandi o uno strato spesso di sporcizia/grasso delle mani possono impedire l'inseguimento corretto del disco da parte del riproduttore. (E diciamo subito che, sebbene il pick-up ottico legge il disco dalla parte trasparente, la superficie con i dati è intrappolata in effetti immediatamente sotto l'etichetta ed è protetta solo da uno strato sottilissimo di lacca. Pertanto un graffio che incide l'etichetta può danneggiare il disco molto di più di un graffio simile sul piano trasparente d'ascolto. Pertanto bisogna trattare entrambe le facce del disco con la debita attenzione. Graffi profondi e ditate possono causare il salto di pista (ovvero passaggio a pista successiva oppure ripetizione del medesimo punto). Danni meno seri possono dare brevi emissioni di rumore ad alta frequenza. I circuiti di inseguimento e correzione errori di questo riproduttore per CD NAD sono insolitamente sofisticati e danno un inseguimento sicuro di dischi meno perfetti che non possono essere ascoltati su molti altri riproduttori. Ricordare in ogni modo che i dischi vanno sempre maneggiati con la massima attenzione. Per evitare danni, ricordare che il disco va toccato solo lungo la circonferenza esterna.

PULIZIA DEI DISCHI

Un disco sporco può essere pulito impiegando un panno soffice, sia asciutto sia inumidito con un po' di acqua. NON impiegare prodotti per la pulizia dei dischi convenzionali LP (liquidi, spray, panni impregnati o soluzioni antistatiche), né utilizzare solventi chimici (alcol, benzolo e sostanze simili).

Un disco molto sporco può essere lavato con uno spruzzo di acqua tiepida, impiegando magari una goccia di detersivo neutro; il disco va poi asciugato con un panno pulito e soffice. Quando si pulisce un disco, ripassarlo solo RADIALMENTE (dal centro verso l'esterno). NON strofinare mai con movimento circolare, come si fa per i Long Play comuni, poiché si corre il rischio di rigare il disco. Un graffietto radiale può essere meno nocivo, poiché colpisce solo una piccola parte di ciascuna pista circolare dei dati, e questa imperfezione viene compensata perfettamente dai circuiti di correzione degli errori del riproduttore. Ma un graffio circolare che segue la pista dei dati può danneggiare un segmento continuo molto lungo di dati, rendendo impossibile qualsiasi correzione.

IL PICK-UP OTTICO

Il riproduttore per Compact Disc impiega laser diodi semiconduttori a stato solido, montato su un servomeccanismo di "inseguimento". Il laser illumina la pista di fossette microscopiche che rappresentano i bits digitali; i fotodiodi riflettono l'illuminazione dal disco e la trasformano in un segnale elettronico che viene quindi decifrato per dare la forma d'onda in ciascun canale stereo.

Il funzionamento del laser è invisibile, poiché opera su una lunghezza d'onda di 7800 Angstrom che si trova nella gamma infrarossi, invisibile all'occhio.

Il riproduttore per Compact Disc può essere usato anche dai bambini senza alcun rischio. Il laser funziona a bassissima potenza ed è celato nel meccanismo del riproduttore. Il laser rimane ermetizzato nel sistema ottico che dà la messa a fuoco del raggio ad un solo millimetro dall'obiettivo e poi diverge rapidamente riducendo la sua intensità a livelli trascurabili, anche se il riproduttore è smontato.

RICERCA GUASTI		
SINTOMO	POSSIBILI CAUSE	SOLUZIONE
Non vi è alimentazione quando il pulsante "POWER" è su "ON" (acceso)	<ul style="list-style-type: none"> • Connessione scadente od assente sulla presa C.A. 	<ul style="list-style-type: none"> • Infilare correttamente la spina della corrente in una presa C.A.
Il riproduttore per dischi non funziona	<ul style="list-style-type: none"> • Il disco è caricato al contrario • Il disco è troppo sporco 	<ul style="list-style-type: none"> • Ricaricare il disco tenendo il lato dell'etichetta IN ALTO • Pulire il disco
Non vi è suono	<ul style="list-style-type: none"> • Connessioni non corrette dei cavi audio • Funzionamento non corretto dell'amplificatore/ricevitore 	<ul style="list-style-type: none"> • Collegare il riproduttore per CD all'amplificatore/ricevitore come prescritto • Assicurarsi che il selettore di input sull'amplificatore o sul ricevitore sia su CD
Salto ed irregolarità del suono	<ul style="list-style-type: none"> • Il riproduttore per CD risente le vibrazioni e i colpi da fonti esterne 	<ul style="list-style-type: none"> • Cambiare la sede di installazione
Il telecomando non funziona	<ul style="list-style-type: none"> • Le batterie nel telecomando sono scariche • Oggetto che ostruisce il sensore del telecomando sull'apparecchio 	<ul style="list-style-type: none"> • Sostituire le batterie • Togliere eventuali oggetti davanti al riproduttore
Si può udire un ronzio	<ul style="list-style-type: none"> • Connessioni allentate dei cavi 	<ul style="list-style-type: none"> • Controllare le connessioni dei cavi, specie i cavi di collegamento "Phono"

INSTALAÇÃO E LIGAÇÃO RÁPIDA

1. Retire o parafuso de transporte da parte inferior da unidade.
2. Ligue um cabo bifilar RCA-para-RCA a partir das tomadas de Saída de Linha L (left - esquerda) e R (right - direita) às respectivas entradas de CD no seu amplificador.
3. Efectue a ligação do cabo de alimentação AC.
4. Prima o botão de POWER (ALIMENTAÇÃO) para ligar o leitor de CD.
5. Prima OPEN (ABRIR) para abrir a gaveta do CD.
6. Coloque um CD na reentrância circular do tabuleiro, com a etiqueta virada para cima. Certifique-se de que o disco está centrado na reentrância.
7. Prima PLAY/PAUSE (Reprodução/Pausa). A gaveta fecha-se imediatamente e o disco começa a ser reproduzido.
8. Poderá premir SKIP (Saltar) em qualquer altura, de forma a seleccionar outras faixas do disco.
9. Prima PLAY/PAUSE (Reprodução/Pausa) se desejar parar temporariamente a reprodução, enquanto mantém o dispositivo de leitura na sua posição actual sobre o disco. Volte a premir PLAY/PAUSE (Reprodução/Pausa) quando desejar recomeçar a reprodução. Prima STOP (Paragem) caso pretenda parar a reprodução e regular o dispositivo de leitura para o início do disco.

NOTA SOBRE A INSTALAÇÃO

IMPORTANTE! Antes de efectuar a instalação deverá retirar o parafuso de transporte em plástico vermelho da parte inferior da unidade. Para o retirar rode-o em 90° no sentido contrário ao dos ponteiros do relógio e, em seguida, puxe-o para fora. Nunca faça uso de força para retirar o parafuso; queira, por favor, consultar também a etiqueta aposta no parafuso de transporte. Guarde o parafuso de transporte para o caso de precisar de transportar o Leitor de CD ao longo de qualquer distância (por exemplo, quando muda de casa). De forma a evitar danos, é importante que o parafuso de transporte volte a ser colocado.

Instale o Leitor de Discos Compactos NAD C 521BEE sobre uma superfície nivelada e que não esteja sujeita a vibrações. (As vibrações fortes ou o funcionamento numa posição inclinada, poderão levar o leitor a ler mal as faixas.) O leitor poderá ser colocado sob ou sobre outros componentes estéreo, desde que exista ventilação suficiente à sua volta. Se o leitor de CD for colocado na proximidade de um sintonizador de rádio (AM ou FM), de um VCR ou de um aparelho de televisão, o funcionamento dos seus circuitos digitais poderá produzir estática, que poderá provocar interferências na recepção de sinais de radiodifusão fracos. Caso isto aconteça, afaste o leitor de CD dos outros dispositivos ou desligue-o quando estiver a ver ou a ouvir transmissões de rádio ou TV.

LIGAÇÕES DO PAINEL TRASEIRO

1. LINE OUTPUT (SAÍDA DE LINHA)

Deverá efectuar a ligação de um cabo a partir destas tomadas para o seu amplificador. Efectue a ligação de uma das extremidades de uma ficha dupla de RCA-para-RCA às tomadas de saída L (Esq. - superior) e R (Dta. - inferior). Efectue a ligação da outra extremidade do cabo à entrada de CD do seu amplificador estereofónico ou a qualquer outra das tomadas de entrada de "nível de linha" (como, por exemplo, as entradas AUX). NÃO efectue a ligação deste cabo às tomadas de entrada PHONO do amplificador. As tomadas de RCA localizadas no seu NAD C 521BEE são codificadas por cores para maior conveniência. A Vermelha e a Branca são, respectivamente, áudio Direita e Esquerda e a Amarela é a tomada de Saída Digital. Certifique-se de que as fichas e as tomadas não estão danificadas e de que todas as fichas estão firmemente fixadas.

2. DIGITAL OUTPUT (SAÍDA DIGITAL)

O sinal de reprodução digital está disponível nesta tomada de saída. A saída de dados de série é efectuada após a correcção de erros mas antes da conversão e filtragem de digital-para-analógico. A saída está isolada dos circuitos incorporados digital-para-analógico através de um transformador. Poderá ser ligada a qualquer processador de sinais digitais que esteja em conformidade com a norma da Sony/Philips (SPDIF).

Para utilizar a Saída digital, deverá efectuar a ligação de um cabo a partir desta tomada para a entrada "CD Digital" ou outra entrada equivalente existente num processador ou num gravador digital. Para obter melhores resultados o cabo deverá utilizar um cabo coaxial de 75 ohm do tipo utilizado para sinais de vídeo, com uma ficha RCA phono em cada extremidade. (Para facilitar a sua distinção relativamente aos cabos semelhantes com ficha phono utilizados para sinais áudio analógicos, é frequente os cabos de sinal digital e vídeo serem codificados com cores através de fichas amarelas.)

3. AC LINE CORD (CABO DE ALIMENTAÇÃO AC)

Efectue a ligação deste cabo de alimentação a uma tomada principal de saída AC de parede ou a uma saída de conveniência AC existente na parte traseira do seu amplificador.

COMANDOS DO PAINEL DIANTEIRO

1. POWER ON/OFF (ALIMENTAÇÃO LIGAR/DESLIGAR)

Deverá premir este botão para comutar o leitor para o modo de ligado. Volte a premi-lo e liberte-o para desligar a alimentação. O visor iluminar-se-á para indicar que a unidade está ligada e pronta para ser utilizada.

2. GAVETA DO CD

Para reproduzir um CD prima o botão Open (Abrir) para abrir a gaveta do CD. Coloque o CD dentro da grande reentrância circular existente na gaveta, mantendo a superfície transparente de reprodução voltada para baixo. A etiqueta tem de estar virada para CIMA. Os discos CD-3 (CDs "singles" de 3 polegadas) poderão ser reproduzidos sem a ajuda de um adaptador. Coloque o CD na gaveta e centre-o na reentrância circular mais pequena, com a etiqueta virada para CIMA.

NOTA: O presente leitor não foi concebido para receber um "disco de amortecimento" colocado sobre um CD nem dois CDs empilhados um sobre o outro. Tem capacidade para reproduzir CDs CD-RW áudio mas não discos que estejam identificados como sendo CD-V, DVD, CD-I, CD-ROM, ou PHOTO CD. Queira, por favor, consultar também o capítulo "Notas relativas aos discos áudio CD-R e CD-RW"

3. VISOR

O visor proporciona informação sobre o estado da reprodução e sobre a localização do dispositivo de leitura óptica no CD. A informação exibida relativamente à faixa/tempo é obtida através da leitura de “sub-códigos” inaudíveis existentes no CD.

NÚMERO DA FAIXA Quando a gravação é efectuada, cada CD é dividido em faixas numeradas e, normalmente, cada uma das faixas numeradas corresponde a uma música diferente, a um movimento sinfónico diferente, etc. Estes números de faixa encontram-se identificados na caixa do CD e são codificados no disco pelo seu fabricante. No caso de alguns CDs, o fabricante opta por subdividir as faixas em secções identificadas por números índice. Este leitor de CDs não exhibe os números índice.

TIME (TEMPO) Normalmente, este visor exhibe o tempo que decorreu desde o início da faixa actual. Ao utilizar o botão de TIME (Tempo) poderá comutar o visor para que exhiba o número de faixas restantes e o tempo de reprodução que falta até ao fim do CD. Quando coloca um disco diferente e utiliza o botão de OPEN (Abrir) (No. 4) para fechar a gaveta do CD, o visor exhibe o número de faixas e o tempo de reprodução total de todas as faixas do CD.

REMAIN (REstante) A indicação REMAIN (Restante) acende-se no canto inferior direito do visor sempre que premir o botão de TIME (Tempo) para exhibir o número de faixas e o tempo restantes no CD.

REPEAT 1 (REPETIR 1) As indicações “REPEAT” (Repetir) e “1” acender-se-ão respectivamente no centro e no canto superior esquerdo durante a repetição da reprodução de uma única faixa. As indicações “REPEAT” (Repetir) e “ALL” (Todas) acender-se-ão durante a repetição da reprodução de todo o programa ou CD.

RANDOM (ALEATÓRIO) Quando o modo aleatório do C 521BEE tiver sido seleccionado, a indicação “RANDOM” (Aleatório) será exibida no painel do visor.

EXIBIÇÃO E LISTAGEM DAS FAIXAS Esta opção exhibe uma lista das faixas disponíveis no CD. À medida que cada faixa é reproduzida, o seu número é apagado da Listagem de Faixas, proporcionando uma indicação simples de quais as faixas do CD que foram reproduzidas e quais as que ainda falta reproduzir. O número da faixa que está a ser reproduzida nesse momento é exibido intermitentemente. O visor exhibe até 16 faixas numeradas.

MEMORY (MEMÓRIA) Durante a Reprodução Programada ou durante a programação para Reprodução Programada, a indicação MEMORY (Memória) acender-se-á.

STATUS (ESTADO) Durante o modo PLAY (Reprodução) acender-se-á uma seta que aponta para direita ► localizada próximo da extremidade esquerda do visor de hora. A exibição de duas barras verticais || indica que o leitor de CD está em modo de PAUSE (Pausa). Em modo de STOP (Paragem) o visor volta novamente a exhibir o número total de faixas e o tempo de reprodução do CD.

no dISC (SEM CD) Quando não existe um CD na gaveta ou quando é colocado um CD que não pode ser lido (porque está sujo ou colocado ao contrário) a indicação “no dISC” (Sem CD) acende-se no visor.

RECEPTOR REMOTO O sensor de infravermelhos localizado na parte direita da janela do visor recebe os comandos do controlo remoto. Terá de existir uma linha de mira desimpedida entre o controlo remoto e esta janela, pois caso a linha de mira esteja obstruída o controlo remoto poderá não funcionar.

4. OPEN (ABRIR)

Prima este botão para abrir a gaveta do CD e volte a premi-lo para fechar a gaveta. Se este botão for premido enquanto um CD tiver sido reproduzido, a reprodução será interrompida, o dispositivo de leitura voltará ao início do CD e a gaveta abrir-se-á. A abertura de gaveta também apagará a memória de Reprodução Programada do leitor de CD. Quando a gaveta do CD é aberta, o mecanismo de fecho da gaveta também poderá ser activado através da pressão de PLAY (Reprodução) ou empurrando suavemente a gaveta para dentro.

NOTA: A abertura e o fecho da gaveta do CD são activados por um motor interno. Não feche a gaveta manualmente quando a alimentação estiver desligada.

Quando a gaveta é fechada, o leitor de CDs efectua um leitura do TOC (Table Of Contents - Índice) do CD e exhibe o número total de faixas e de tempo de reprodução do CD. Se premir o botão de PLAY (reprodução) para fechar a gaveta, esta informação não será exibida e a reprodução começará imediatamente na faixa 1 (Track 1).

5. PLAY/PAUSE (REPRODUÇÃO/PAUSA)

Este botão de função dupla alterna entre iniciar e parar a reprodução. Prima-o para iniciar a reprodução ou para a retomar após uma pausa. Durante a reprodução, prima este botão para interromper temporariamente a reprodução, mantendo o dispositivo de leitura óptica na sua posição actual no disco. O modo de PLAY (Reprodução) é identificado pela exibição no visor de uma seta que aponta para a direita (►). O modo de PAUSE (Pausa) é identificado por duas barras verticais (||). Para retomar a reprodução no ponto exacto em que esta foi interrompida, deverá premir novamente PLAY/PAUSE (Reprodução/Pausa). Caso não pretenda retomar a reprodução no mesmo ponto, poderá utilizar os comandos de SKIP (Saltar) e de SCAN (Pesquisa) para que o dispositivo de leitura se desloque para um ponto de início diferente antes de voltar a premir PLAY (Reprodução).

6. TIME (TEMPO)

O botão de TIME (Tempo) pode ser utilizado para exhibir o número da faixa actual e o tempo que decorreu desde o início da faixa (Visualização normal), ou o número e o tempo das restantes faixas do CD ou do programa seleccionado (Visualização alternativa). Quando estiver em modo de visualização normal prima o botão de TIME (Tempo) para activar a visualização alternativa. Volte a premir o botão de TIME (Tempo) para regressar à visualização normal.

7. STOP (PARAGEM)

Se premir uma vez o botão de STOP (Paragem) irá parar a reprodução e regular o dispositivo de leitura para o início do CD. O visor volta a exhibir o número de faixas e o tempo de reprodução total do CD. Se o leitor de CD tiver sido programado para reproduzir uma selecção de faixas, a programação será retida na memória do leitor. Se premir STOP (Paragem) uma segunda vez a programação também será eliminada. Se premir STOP (Paragem) duas vezes também irá desactivar os modos de reprodução Repeat (Repetir) e Random (Aleatório) se estes estiverem activados.

8. REPEAT (REPETIR)

Este botão activa o modo Repeat Play (Repetir Reprodução), que consiste num ciclo de repetição interminável. Prima o botão de Repeat (Repetir) uma vez para seleccionar o modo de REPEAT 1 (Repetir 1) em que apenas é repetida consecutivamente a faixa actual. Se voltar a pressionar o botão de Repeat (Repetir) seleccionará o modo de REPEAT ALL (Repetir Todas), em que todo o CD é reproduzido consecutivamente do princípio ao fim. Prima o botão de Repeat (Repetir) uma terceira vez para cancelar o ciclo de repetição e regressar ao funcionamento normal.

O modo de Reprodução Repetida pode ser utilizado conjuntamente com os modos de Program Play (Reprodução Programada) e Random Play (Reprodução Aleatória). Quando o C 521BEE se encontra no modo de Reprodução Repetida, as indicações "REPEAT 1" (Repetir 1) ou "ALL" (Todas) serão exibidas no painel do visor. O modo de Reprodução Repetida pode também ser desactivado se premir duas vezes o botão de STOP (Paragem). Aquando da primeira pressão do botão de STOP (Paragem) a reprodução será interrompida e aquando da segunda pressão o modo de Reprodução Repetida será desactivado.

9. RANDOM (ALEATÓRIO)

A activação do modo de Reprodução Aleatória fará com que todas as faixas do CD sejam reproduzidas uma vez seguindo uma ordem aleatória. A partir de STOP (paragem), prima em primeiro lugar o botão de RANDOM (Aleatório) e em seguida o botão de PLAY/PAUSE (Reprodução/Pausa) para activar o modo de Reprodução Aleatória. Durante a reprodução normal, o modo de Reprodução Aleatória pode também ser activado se se premir o botão de RANDOM (Aleatório). A faixa actual deixará de ser reproduzida e terá início a primeira faixa escolhida aleatoriamente.

O modo de Reprodução Aleatória pode ser utilizado em conjunto com o modo de Reprodução Repetida de Todas mas não com o modo de Reprodução Programada. Quando o C 521BEE se encontra em modo Aleatório a indicação "RANDOM" (Aleatório) será exibida no painel do visor. Volte a premir o botão de RANDOM (Aleatório) outra vez para cancelar o modo de Reprodução Aleatória e regressar ao modo de Reprodução Normal. O modo de Reprodução Aleatória também pode ser desactivado se se premir o botão de STOP (PARAGEM) duas vezes. Quando se premir o botão de STOP (PARAGEM) pela primeira vez a reprodução irá parar; quando se premir a segunda vez o modo de Reprodução Aleatória será desactivado.

10. SCAN (PESQUISA) ◀◀ ▶▶

O Botão de SCAN ◀◀ (Pesquisa ◀◀) faz com que o dispositivo de leitura óptica efectue uma pesquisa para trás, na gravação, a elevada velocidade. Este botão apenas funciona quando o leitor de CD estiver em PLAY (Reproduzir) ou PAUSE (Pausa). Após um comando de STOP (PARAGEM), ou depois de colocar um novo CD, terá de premir o botão de PLAY (Reproduzir) para que o circuito de pesquisa possa funcionar. Se a pesquisa for iniciada quando o leitor de CD estiver em PAUSE (Pausa), a pesquisa será silenciosa; se for iniciada durante PLAY (Reprodução) a música será ouvida de forma fragmentada, num volume de som reduzido, à medida que o leitor efectua a pesquisa. Durante os primeiros 50 segundos, aproximadamente, de uma faixa a pesquisa terá cerca do triplo da velocidade e depois de decorrido esse tempo a velocidade de pesquisa aumenta para cerca de 15 vezes mais que a velocidade normal de reprodução.

Utilize esta "pesquisa audível" para que o leitor se coloque exactamente no ponto em que deseja retomar a reprodução.

Se fizer uma pesquisa até ao início do CD quando estiver a reproduzir a Faixa 1, o leitor comuta automaticamente para a reprodução normal.

O Botão de SCAN ▶▶ (Pesquisa ▶▶) faz com que o dispositivo de leitura óptica efectue uma pesquisa para a frente, na gravação, a elevada velocidade. O comportamento desta função é semelhante ao da de SCAN ◀◀ (Pesquisa para trás ◀◀). Caso faça uma pesquisa para a frente até ao fim do CD enquanto estiver a reproduzir a última faixa, a pesquisa irá parar e o visor de Tempo exibirá o índice. (Não está disponível a função "circular".)

11. SKIP (SALTAR) ◀◀ ▶▶

Durante a reprodução prima uma vez o botão de SKIP ◀◀ (Saltar ◀◀) para voltar ao início da faixa actual. Prima SKIP ◀◀ (Saltar para trás ◀◀) duas vezes, numa sucessão rápida, para regressar à faixa anterior ou à faixa anterior programada no caso do modo de Reprodução Programada, prima este botão uma vez para voltar para o início da faixa actual e prima-o outra vez para voltar para a faixa anterior. Ao premir continuamente o botão o leitor voltará para as faixas anteriores repetidamente, terminando no início do disco (Faixa 1) ou na primeira faixa programada no caso do modo de Reprodução Programada.

Durante a reprodução prima uma vez o botão de SKIP ▶▶ (Saltar ▶▶) para se deslocar para o início da faixa seguinte do CD ou para o início da faixa programada seguinte em modo de Reprodução Programada. Assim, para ouvir uma amostra de cada canção, prima PLAY (Reprodução) e depois de ter ouvido alguns segundos de cada faixa prima SKIP (Saltar). A partir de STOP (paragem), prima o botão de SKIP ▶▶ (Saltar ▶▶) até ter atingido a faixa a partir da qual deseja iniciar a reprodução. Prima Play (Reprodução) para iniciar a reprodução.

12. LED INDICADOR DE STAND-BY

Este LED verde acende-se quando o leitor é comutado para Ligado e muda para Amarelo quando o leitor estiver em modo de Standby.

CONTROLO REMOTO

Juntamente com o seu leitor de CDs é fornecido um controlo remoto sem fios que lhe permite operar as funções de reprodução enquanto está confortavelmente sentado na sua poltrona ou a partir de qualquer outro ponto da sala. Para obter um funcionamento fiável deverá certificar-se de que existe uma linha de mira desobstruída a partir do controlo remoto até à parte dianteira do leitor de CD. Se o leitor de CD não responder ao comandos do controlo remoto é possível que a referida linha de mira esteja obstruída por roupas, papéis ou mobília.

A maior parte dos botões do comando de controlo remoto têm os mesmos efeitos que os botões correspondentes localizados no painel dianteiro do leitor de CD. Além disso, o comando está equipado com alguns botões e funções adicionais como, por exemplo, o teclado numérico e as funções de programação.

POWER ON (ALIMENTAÇÃO LIGADA)

Deverá premir este botão Verde para comutar a alimentação do leitor para o modo de Ligada a partir do modo de Standby. A cor do LED mudará de Amarelo para Verde e o visor EFL iluminar-se-á.

POWER OFF (ALIMENTAÇÃO DESLIGADA)

Deverá premir este botão Vermelho para comutar o leitor para o modo de Standby a partir do modo de Alimentação Ligada. A cor do LED mudará de Verde para Amarelo e o visor apagar-se-á.

TECLADO NUMÉRICO

Se utilizar o teclado numérico de introdução directa (1 a 10; +10) o leitor de CD irá deslocar-se directamente para o início de uma faixa numerada e começar a reprodução. Deste modo, para reproduzir a Faixa 5, basta simplesmente premir 5. Para reproduzir a Faixa 20, prima: +10, 10. Para reproduzir a Faixa 36, prima: +10, +10, +10, 6.

PROGRAM (PROGRAMAÇÃO)

O leitor de CD C 521BEE permite efectuar a reprodução programada de até 20 faixas em qualquer ordem pretendida. Para activar a Reprodução Programada com a sequência de faixas que pretende em memória:

1. Prima PROGRAM (Programação). O indicador de "MEMORY" (Memória) acender-se-á. O visor indicará "Pr p:01", o que significa que o leitor de CD está à espera que seja introduzida a primeira Programação.
2. Utilize os botões de SKIP (Saltar) ou do Teclado numérico de introdução directa para seleccionar a primeira faixa da sequência por si planeada. O número da faixa seleccionada piscará no visor.
3. Prima PROGRAM (Programação) para guardar em memória o número da faixa seleccionada. O visor voltará ao modo de Introdução de Programação e avançará para "Pr p:02", mostrando assim que o leitor está preparado para a sua segunda introdução.
4. Repita os Passos 2 e 3 para seleccionar e guardar em memória outros números de faixas, até um máximo de 20 introduções. O visor exibirá a indicação "FULL" (Cheio) quando tiverem sido introduzidas 20 faixas.
5. Caso deseje rever ou alterar as introduções que programou deverá premir repetidamente PROGRAM (Programação) para que o visor se desloque entre elas. Quando for exibido o número de programação mais elevado poderá introduzir faixas adicionais na memória, através da repetição dos Passos 2 e 3.
6. Para reproduzir a programação memorizada, prima PLAY (Reprodução). As indicações "PROGRAM" (Programação) e "MEMORY" (Memória) serão exibidas no visor, indicando que o programa memorizado está a ser reproduzido. Durante a Reprodução Programada os botões de SKIP (Saltar) apenas acederão às faixas constantes da lista programada. Assim, se desejar reproduzir apenas uma parte de um programa memorizado deverá iniciar a reprodução e, em seguida, premir SKIP ►► (Saltar ►►) para saltar as faixas programadas que não pretende ouvir.
7. Para terminar a reprodução programada, prima STOP (PARAGEM). No entanto, a lista de faixas memorizada permanecerá na memória; caso deseje voltar a reproduzir o programa basta simplesmente premir PLAY (Reprodução) outra vez. Caso deseje alterar a programação, prima PROGRAM (Programação) repetidamente para voltar a ver a lista e efectuar as alterações. Para acrescentar faixas, prima o botão de PROGRAM (Programação) até que o número de programação mais elevado seja exibido.
8. Para desactivar a programação memorizada deverá premir duas vezes STOP (PARAGEM), OPEN/CLOSE (Abrir/Fechar) para abrir a gaveta ou desligar o botão de POWER (Alimentação).

O exemplo apresentado em seguida proporciona uma ilustração passo a passo de como efectuar a programação e dar início à Reprodução Programada, para que reproduza as faixas 5, 23, 9, 16 e 1.

A partir de STOP (paragem):

Prima no controlo remoto	Visor
PROGRAM (Programação)	Pr p:01
5	5 p:01
PROGRAM (Programação)	Pr p:02
+10, +10, 3	23 p:02
PROGRAM (Programação)	Pr p:03
9	9 p:03
PROGRAM (Programação)	Pr p:04
+10, 6	16 p:04
PROGRAM (Programação)	P p:05
1	1 p:05
PROGRAM (Programação)	Pr p:06
PLAY (Reprodução)	

A opção de exibição e listagem das faixas indicará qual a programação seleccionada.

DELETE (APAGAR)

O Leitor de CD C 521BEE permite que o utilizador apague faixas indesejadas em qualquer ordem pretendida, quer no Modo de Program (Programação) quer no modo de Stop (Paragem). Para apagar as faixas deverá seguir a sequência de comandos indicada abaixo.

No modo de Program:

- 1 Prima o botão de DELETE. O visor irá exibir a indicação "dE d:01" e o leitor está agora pronto para o primeiro comando de Delete. A indicação de "dE" irá mudar para a primeira faixa guardada em memória depois de decorrido 1 segundo.
- 2 Utilize os botões de ◀◀ SKIP e SKIP ▶▶ para seleccionar a primeira faixa que pretende apagar. O número da faixa irá piscar intermitentemente.
- 3 Volte a premir o botão de DELETE para guardar em memória o número da faixa seleccionada. O número da faixa seleccionada será apagado do visor. O visor irá avançar para a faixa seguinte, indicando que o leitor está preparado para a sua segunda entrada, mas não pode apagar faixas acima da faixa 25.
- 4 Repita os Passos 2 e 3 para seleccionar os números de faixa guardados em memória, até um máximo de 20 entradas.
- 5 Para reproduzir a programação guardada em memória basta premir o botão de PLAY. Durante a reprodução os botões de SKIP apenas permitem aceder às faixas que ainda estejam listadas. As canções apagadas não são listadas.
- 6 Para limpar a memória deverá premir duas vezes o botão de STOP, o botão de OPEN / CLOSE para abrir a gaveta do CD ou então desligar a alimentação.

No modo de Paragem:

- 1 Prima o botão de DELETE (Apagar). O visor exibirá a indicação "dE " e o tempo total da faixa. O leitor está agora pronto para a primeira ordem de Apagar.
- 2 Utilize os botões numéricos de Introdução Directa localizados no teclado para seleccionar a primeira faixa que pretende apagar. O número da faixa seleccionada será apagado no visor de Calendário e o tempo de reprodução total actualizado será exibido no visor.
- 3 Deverá repetir o passo 2 para seleccionar os números de faixa que pretende apagar, até um máximo de 20 ordens.
- 4 Para reproduzir as restantes faixas basta premir o botão de PLAY (Reprodução). Durante a reprodução os botões de SKIP (Avanço / Retrocesso) apenas irão aceder às faixas que ainda constam da listagem. As faixas apagadas não são exibidas na listagem.
- 5 Para eliminar a memória prima o botão de OPEN/CLOSE (Abrir / Fechar) para abrir a gaveta ou comute a alimentação para o modo de desligada.

O visor de Calendário irá exhibir a indicação da listagem de faixas restantes. Depois de terminar a reprodução o C 521BEE irá parar automaticamente e o visor irá exhibir novamente todas as faixas existentes no CD colocado no leitor.

NOTA: No modo de introdução da programação os botões de SKIP ◀◀ e ▶▶ (Saltar ◀◀ e ▶▶) têm uma função "circular": Se carregar repetidamente no botão de SKIP Back ◀◀ (Saltar para trás ◀◀) quando estiver na Faixa 01, o número efectua uma contagem decrescente a partir da última faixa do CD. Esta função proporciona uma forma conveniente de seleccionar faixas com números elevados.

INSTALAÇÃO E SUBSTITUIÇÃO DAS PILHAS

O controlo remoto funciona com duas pilhas de 1,5 volts de tamanho AAA (ou seja, UM-4 ou IEC RO3). É recomendável a utilização de pilhas alcalinas de forma a prolongar ao máximo a sua vida útil. Para abrir o compartimento das pilhas deverá colocar o dedo na reentrância localizada na parte traseira do controlo remoto, empurrar o rebordo flexível da tampa do compartimento das pilhas e puxá-la para cima. Coloque as pilhas novas, respeitando a orientação ilustrada no diagrama existente dentro do compartimento.

As molas em espiral deverão ficar em contacto com a extremidade negativa (-) de cada uma das pilhas. Volte a colocar a tampa do compartimento das pilhas e pressione-a ligeiramente até que fique presa. Nalguns casos, a existência de corrosão ou de gordura dos dedos nos contactos das pilhas poderá provocar um funcionamento deficiente. Retire ambas as pilhas, esfregue os contactos de metal em ambas as extremidades de cada uma das pilhas com um pano limpo ou uma borracha de apagar e volte a colocar as pilhas, tendo o cuidado de as orientar no sentido correcto.

DISCOS ÁUDIO CD-R E CD-RW

O C 521BEE pode reproduzir discos áudio CD-R & CD-RW que tenham sido gravados num computador ou num gravador de CDs. A qualidade dos discos áudio CD-R & CD-RW varia muito e esse facto poderá afectar a sua reprodutibilidade.

Alguns factores que afectam a reprodutibilidade:

- A qualidade do próprio CD. Em termos gerais, os CD-R & CD-RW virgens produzidos por empresas de renome dão melhores resultados que os de marca branca.
- A qualidade do gravador de CDs ou do dispositivo de escrita de CD do computador. Alguns gravadores e dispositivos de escrita proporcionam melhores resultados que outros.
- O CD-R & CD-RW foi concebido com escrita de elevada velocidade. Em geral a qualidade de um é melhor quando é produzido a uma velocidade inferior em vez de a uma velocidade superior no mesmo gravador ou dispositivo de escrita.

CAPACIDADE DE REPRODUÇÃO DO DISCO

O presente Leitor de CD foi concebido para reproduzir apenas material de programação musical de discos CD, CD-R e CD-RW gravados no formato de disco compacto de 16 bit e 44,1 kHz PCM. Não foi concebido para reproduzir quaisquer discos de outros formatos nem discos que contenham dados ou imagens.

AVISO: Caso tente reproduzir discos com programação não musical poderá danificar o seu sistema de reprodução.

MANUTENÇÃO

Deverá abrir regularmente a gaveta do CD e limpá-la com um pano húmido, para remover quaisquer partículas de pó soltas.

MANUSEAMENTO DOS DISCOS COMPACTOS

Os discos compactos deverão ser manuseados com cuidado. A reprodução de um CD não será afectada pela existência de pequenas partículas de pó, algumas dedadas ou pequenos riscos. No entanto, riscos grandes ou uma camada espessa de dedadas gordurosas poderá impedir o leitor de ler o CD. (A propósito, embora o dispositivo de leitura óptica de detecção "leia" o CD através da sua face transparente, a superfície de dados está gravada directamente sob a etiqueta e apenas é protegida por uma camada extremamente fina de laca. Desta forma, um disco que rasgue a etiqueta poderá causar mais danos no CD que um risco semelhante na superfície de "leitura" transparente. Assim, deverá tratar ambas as superfícies do CD com cuidado.) Os riscos ou dedadas de maiores dimensões poderão levar a que o leitor não leia as faixas (saltando para a frente ou repetindo a mesma passagem). Os danos menos importantes poderão provocar breves picos de ruído de alta frequência. Os circuitos de detecção e correcção de erros do presente leitor de CDs da NAD são invulgarmente sofisticados e proporcionam uma detecção segura de discos defeituosos que não podem ser reproduzidos em alguns outros leitores. No entanto, deverá ter cuidado e manusear adequadamente os CDs. Para obter melhores resultados deverá segurar no disco pelas extremidades.

LIMPEZA DOS CDS

Poderá efectuar a limpeza dos CDs que estejam sujos polindo-os com um pano macio, seco ou humedecido com água. NÃO utilize produtos convencionais de limpeza de discos LPs (soluções de limpeza, sprays, panos de tratamento ou preparados anti-estáticos), nem qualquer tipo de solventes químicos (álcool, benzeno e substâncias semelhantes). Um Cd que esteja extremamente sujo poderá ser lavado com um jacto de água quente, podendo ser adicionada uma quantidade reduzida de detergente suave para loiça, sendo em seguida limpo com uma toalha seca, limpa e macia.

Quando efectuar a limpeza do CD deverá apenas fazer movimentos RADIAIS (do centro para a extremidade). Nunca utilize um movimento de limpeza circular como o que é utilizado para limpar discos LP normais, uma vez que ao fazê-lo poderá correr o perigo de riscar o CD. Um risco radial provocará menos danos porque apenas afecta uma pequena porção de cada faixa circular de dados, o que poderá ser totalmente compensado pelos circuitos de correcção de erros do leitor, enquanto um risco circular que siga uma faixa de dados poderá danificar um segmento de dados contínuo tão longo que poderá não ser possível recuperá-lo.

SOBRE O DISPOSITIVO DE LEITURA ÓPTICA

Para efectuar a leitura dos CDs, o leitor de Discos Compactos utiliza um laser de diodo semi-condutor de estado sólido montado sobre um servio-mecanismo de detecção. O laser ilumina a faixa de minúsculas fendas que representa os dados de bits digitais, enquanto os fotodiodos detectam a iluminação reflectida pelo CD e a convertem num sinal electrónico que, depois, é descodificado de maneira a recuperar a sua forma de onda musical em cada um dos canais estéreo.

Não é possível observar o laser em funcionamento porque este funciona num comprimento de onda de 7800 Angstroms, que é o dos infravermelhos e, portanto, é invisível ao olho humano.

As crianças poderão utilizar o leitor de Discos Compactos com toda a segurança. O laser funciona a uma potência extremamente baixa e está recolhido no interior do mecanismo do leitor. Mesmo quando o leitor é desmontado, o laser continua selado no interior de um sistema óptico que se foque apenas a 1 milímetro da lente e em seguida se afaste rapidamente, reduzindo a sua intensidade para níveis insignificantes.

RESOLUÇÃO DE PROBLEMAS		
SINTOMA	CAUSA POSSÍVEL	SOLUÇÃO
Não há corrente quando o botão de Power (alimentação) é regulado para ON (Ligado)	<ul style="list-style-type: none">Ligação incorrecta ou inexistente da ficha de alimentação à tomada de saída de AC	<ul style="list-style-type: none">Introduza firmemente a ficha de alimentação na tomada de saída AC
A reprodução do CD não começa	<ul style="list-style-type: none">O CD foi colocado ao contrárioO CD está demasiado sujo	<ul style="list-style-type: none">Volte a colocar o CD com a etiqueta virada PARA CIMALimpe o CD
Não há som	<ul style="list-style-type: none">Ligações incorrectas do cabo de áudioFuncionamento incorrecto do amplificador/receptor	<ul style="list-style-type: none">Ligue correctamente o leitor de CD ao amplificador/receptorCertifique-se de que o selector de entrada existente no seu amplificador ou receptor está regulado para CD
O som salta	<ul style="list-style-type: none">O leitor de CD está sujeito a vibrações ou choques físicos de fontes externas	<ul style="list-style-type: none">Mude a unidade de lugar
O controlo remoto não funciona	<ul style="list-style-type: none">As pilhas do comando de controlo remoto estão gastasHá um objecto a tapar o sensor remoto do leitor de CD	<ul style="list-style-type: none">Substitua as pilhasRetire quaisquer objectos que estejam directamente em frente do leitor
Ouve-se um barulho de zumbido	<ul style="list-style-type: none">As cabos de ligação estão soltos	<ul style="list-style-type: none">Verifique os cabos de ligação, sobretudo os cabos de ligação phono

HUR DU SPELAR CD-SKIVOR, EN SNABBGENOMGÅNG

1. Anslut signalkabeln som följer med NAD C 521BEE till utgången märkt LINE OUT på CD-spelaren till CD-ingången på din förstärkare. Den röda kontakten skall anslutas till höger (R) och den vita till vänster (L).
2. Anslut nätsladden till ett vägguttag.
3. Slå på CD-spelaren genom att trycka på knappen märkt POWER.
4. Tryck på OPEN-knappen så att släden åker ut.
5. Lägg en CD-skiva i det runda facket på släden med etikettsidan uppåt.
6. Tryck på PLAY-knappen och skivsläden åker in och avspelningsen påbörjas.
7. Tryck på SKIP ►► och ◄◄ för att välja andra spår på skivan.
8. För att göra en paus i avspelningsen, tryck på PLAY/PAUSE. För att fortsätta avspelningsen, tryck på PLAY/PAUSE en gång till. Avspelningsen fortsätter nu från samma punkt på skivan som när den pausades. Tryck på STOP för att avbryta avspelningsen.

TÄNK PÅ FÖLJANDE VID INKOPPLING

NAD C 521BEE bör placeras på en jämn stabil yta. Kraftiga vibrationer eller om spelaren står snett kan få den att sära ur. Undvik att placera apparaten så att den utsätts för direkt solljus, står nära värmekällor eller utsätts för fukt. Sörj för att apparaten inte står instängd utan ventilation. Precis som all utrustning innehållande digitalteknik, kan processorn i din CD-spelare störa mottagning av mycket svaga radio eller TV-signaler. Om så skulle vara fallet kan prova med att flytta CD-spelaren eller stänga av den när du skall titta eller lyssna på radio och TV.

ANSLUTNINGAR PÅ BAKPANELEN

1. LINE OUTPUT

Analog signalutgång. Här ansluter du en signalkabel. Andra änden på kabeln skall anslutas till förstärkarens CD eller AUX-ingång. Om du inte har vare sig CD eller AUX-ingång kan du ansluta CD-spelaren till vilken annan ingång som helst utom den som är avsedda för skivspelare (PHONO). Kabeln skall anslutas med den röda kontakten till höger utgång (R) och den vita kontakten till vänster utgång (L). Kontakterna på NAD C 521BEE är färgkodade för enkelhetens skull. Röd och vit är höger respektive vänster ljudutgångar och gula är för digitalutgången. signalöverföring med RCA kontakter i ändarna. (Det är vanligt att signalkablar av denna typen är försedda med gula kontakter för att skilja dem från vanliga ljudkablar.)

2. DIGITALUTGÅNG

Den digitala ljudsignalen är tillgänglig från denna kontakt. Signalen tas efter felkorrigeringen men innan digital-till-analog omvandlingen och filtreringen. Utgången är transformatorisolerad från de inbyggda D/A omvandlarna. Man kan ansluta alla digitala signalprocessorer som använder Sony/Philips (SPDIF) standard.

För att använda denna utgång ansluter du en kabel från denna kontakt till "CD digital in" eller motsvarande på en signalprocessor eller liknande. För bästa resultat bör kabeln hålla 75 ohms impedans och vara avsedd för videosignaler eller digital signalöverföring med RCA kontakter i ändarna. (Det är vanligt att signalkablar av denna typen är försedda med gula kontakter för att skilja dem från vanliga ljudkablar.)

3. NÄTSLADD.

För anslutning till vägguttag.

KONTROLLER PÅ FRONTPANELEN

1. AV/PÅ KNAPP

Med den POWER-knappen sätter du på eller stänger av CD-spelaren. Displayen tänds för att visa att apparaten är påslagen och klar att användas.

2. SKIVSLÄDEN

För att spela CD-skivorna skall de placeras i de runda facken i skivsläden med etikettsidan uppåt. De två olika storlekarna på urfasningarna i släden är till vanliga 5"CD i den stora och till små 3"CD-singlar i den lilla urfasningen.

OBSERVERA: Lägg inga främmande föremål i CD-spelaren då det kan skada maskinen. NAD C 521BEE är inte konstruerad att användas med så kallade dämpskivor, inte heller skall du lägga två CD-skivor i släden. NAD C 521BEE är bara avsedd för vanliga ljud-CD och CD-R, CD-RW, CD-ROM, DVD, CD-V, DVD, CD-I och PHOTO-CD fungerar inte i denna spelare. Se även avsnittet om CD-R och CD-RW ljudskivor

3. DISPLAYFÖNSTRET

I fönstret får du information om avspelningsen och den aktuella CD-skivan i apparaten.

Information i fönstret läses från skivans subkoder.

SKIVSPÅR Varje skiva är uppdelad i olika spår. Spåren representerar typiskt de olika musikstyckena på en skiva eller de olika satserna i en symfoni. De olika spårens ordning visas i regel på CD-skivans omslag. Vissa tillverkare väljer att lägga in spåren i underavdelningar s.k. indexnummer. Denna CD-spelare visar inte indexnummer.

TID Normalt visas förfluten tid för aktuellt spår i minuter och sekunder i displayen. Med TIME knappen kan man växla till kvarvarande tid för hela skivan i minuter och sekunder. Du väljer tidsvisning genom att trycka på TIME-knappen. När du laddar en ny skiva och använder OPEN knappen för att stänga släden, kommer displayen att visa antalet stycken på skivan samt den totala speltiden för skivan.

REMAIN REMAIN lyser i det nedre, vänstra hörnet av displayen, om du har tryckt på TIME-knappen för att visa återstående tid i displayen för ett stycke, skiva eller program.

REPEAT 1 "REPEAT" och "1" lyser i mitten och övre, vänstra hörnet av displayen vid repetering av enstaka spår. "REPEAT" och "ALL" lyser när man repeterar en hel skiva eller ett program.

RANDOM RANDOM lyser i displayen när man valt slumpmässig avspelningsen.

MUSIKKALENDER Här visas de tillgängliga spåren på den aktuella skivan. När ett spår spelats stryks det ur listan för att visa hur mycket som redan spelats och vad det finns kvar på skivan. Det nummer som spelas blinkar. Displayen kan visa 16 spår.

MEMORY Under avspelningsen av en programmerad låtordning lyser "Memory"

STATUS I vänstra kanten av tidsdisplayen finns en pil (►), som lyser under PLAY. Två vertikala streck (||) som indikerar pausläge. När spelaren är stoppad återgår displayen till att visa antalet spår och total tid på skivan.

no disc "no disc" lyser när det inte finns någon skiva i spelaren eller när en skiva som inte går att läsa ligger i maskinen (skivan upp och ner vänd eller smutsig).

FJÄRRKONTROLLMOTTAGARE En mottagare för infraröda signaler sitter placerad på vänster sida i displayen. Här tas signalerna från fjärrkontrollen emot. Se till att ingenting skymmer detta fönster, annars fungerar inte fjärrkontrollen.

4. OPEN

Tryck på OPEN för att manövrera skivsläden. Om knappen trycks in när en skiva spelas, kommer avspelningsen att avbrytas och skivan matas ut. OPEN-knappen raderar också alla valda spår ur minnet. Om släden är ute kan den även stängas genom att man trycker PLAY eller genom att försiktigt trycka in släden.

OBSERVERA: Släden öppnas och stängs med en motor, försök inte att manövrera skivsläden för hand när spelaren inte är påslagen eller med våld.

När skivan kommit in i spelaren kommer den att läsas av för att se hur många låtar den innehåller och hur lång speltid skivan har, spår och tidsinformationen visas sedan i fönstret. Om släden stängs med ett tryck på PLAY, visas inte denna information i fönstret utan spelaren startar direkt på spår 1.

5. PLAY/PAUSE

Denna knapp har en dubbel funktion, den används både till att starta och för att, tillfälligt, stoppa avspelningsen. Tryck en gång för att påbörja avspelningsen eller för att återuppta avspelningsen från pausläge. Under avspelningsen kan man göra en paus i avspelningsen för att sedan kunna starta från samma punkt. När en skiva spelas visas tecknet ► i fönstret samtidigt som aktuellt spår och förfluten tid (minuter och sekunder) för spåret visas. När du har pausat spelaren visas II i displayen. Tryck på PLAY för att starta avspelningsen av det spår som visas i fönstret. Om du trycker på PLAY när släden är ute men med en CD-skiva i, kommer släden att åka in och avspelningsen påbörjas från första spåret. Om PLAY trycks medan en skiva spelas, kommer pågående spår att tas om från början. För att återuppta avlyssning från samma ställe som du pausade på, tryck på PLAY/PAUSE igen. Både SKIP och SCAN kan användas i pausläge för att välja andra spår eller en annan plats på skivan.

6. TIME

Med TIME-knappen kan du få tidsvisning på två sätt:
Förfluten tid för aktuellt spår i minuter och sekunder. (Normalläge)
Kvarvarande tid för hela skivan i minuter och sekunder och antal återstående spår (inklusive det aktuella spåret).

7. STOP

STOP-knappen avbryter avspelningsen och nollställer eventuellt repeteringsalternativ och laserpickupen återgår till skivans startläge. I fönstret visas antal spår på skivan och skivans totala speltid. Om CD spelaren har programmerats att spela ett urval av låtar från skivan, lagras det i spelarens minne. Trycker man på STOP en andra gång raderas det som programmerats in i minnet. Genom att trycka på STOP två gånger återställer man också Repetition och Slumpmässig avspelningsen om det valts.

8. REPEAT

Du kan få NAD C 521BEE att repetera ett stycke eller hela skivan om du trycker in knappen märkt REPEAT. Om du trycker på knappen en gång under avspelningsen repeterar spelaren det aktuella stycket tills du trycker på STOP. REPEAT 1 visas i displayen. Trycks knappen in två gånger, repeteras hela skivan eller ett program oavbrutet. REPEAT ALL blinkar i displayen. Vill man avbryta trycker du på REPEAT en tredje gång.

Repetitionen kan användas i kombination med Program och Random funktionerna. Repetitionsläget kan också kopplas ur genom att trycka på STOP två gånger. Efter första trycket slutar avspelningsen, efter andra raderas funktionen.

9. RANDOM

Trycker man på knappen märkt RANDOM, kommer CD-spelaren att blanda spåren och spela upp dem i slumpmässig ordning.

Random kan tryckas både när spelaren är i STOP-läge och medan den spelar en skiva, då kommer C 521BEE att spela spåren på skivan i slumpmässig ordning tills alla spår är spelade. Ytterligare ett tryck på RANDOM återställer spelaren i normalläge. När spelaren är i RANDOM-läge står det "RANDOM " i fönstret. Randomfunktionen kan också kopplas ur genom att trycka på STOP två gånger. Efter första trycket slutar avspelningsen, efter andra raderas funktionen.

10. SCAN BAKÅT ◀◀ ▶▶

Med SCAN-knappen kan du spola tillbaka i styckena på skivan med medhörning. Knappen fungerar bara i PLAY eller PAUSE-läge. Efter STOP eller om du bytt skiva, måste du trycka PLAY innan SCAN-funktionen kommer att fungera.

Om du spolar i PAUSE-läge kommer sökningens att ske tyst. Om sökning sker i PLAY-läge sker sökningens betydligt saktare, ungefär tre gånger så fort och musiken hörs fragmentariskt med reducerad volym. I spårets första 50 sekunder sker sökningens med tre gånger normal hastighet, efter det sker sökningens med 15 gånger normal hastighet.

Den hörbara sökningens är användbar när man skall hitta rätt i musiken. Om du spolar tillbaka till början på spår 1 kommer vanlig avspelningsen att påbörjas.

Med SCAN-knappen kan du spola FRAMÅT i styckena på skivan med medhörning. Funktionen är likadan som för SCAN ◀◀. Om du spolar fram till slutet på skivan kommer skivan att stanna.

11. SKIP ◀◀ ▶▶

Med SKIP BAKÅT-knappen kan du hoppa tillbaka till början på det spåret du spelar eller bakåt till tidigare spår. Om du håller knappen intryckt kommer spelaren att söka sig tillbaka till spår ett. Om du trycker SKIP ◀◀ en gång under avspelningsen, kommer pågående spår att tas om från början. För att komma till spåret innan måste du trycka två gånger i följd på SKIP ◀◀. Under spelning av ett program kommer SKIP ◀◀ att hoppa till det tidigare spåret i programmet.

Med SKIP FRAMÅT-knappen kan du hoppa till början på nästa spår. Om du vill höra prov på de olika spåren på en skiva, tryck på PLAY och hoppa fram med SKIP ▶▶ efter det att du lyssnat ett par sekunder. Under avspelningsen av ett program kommer SKIP ▶▶ att hoppa till nästa spår i programmet. Om du försöker hoppa förbi det sista spåret i programmet kommer spelaren att avbryta spelandet och stanna. I stoppläge kan du trycka på SKIP FRAMÅT-knappen tills du hamnar på det spår du vill lyssna på och trycka på PLAY för att spela upp det.

12. STAND-BY LYSDIOD

Den gröna lysdioden är tänd när spelaren är påslagen, och ändrar färg till orange när spelaren är i standby-läge.

FJÄRRKONTROLLEN

Till NAD C 521BEE följer det med en infraröd fjärrkontroll. Med den kan du bekvämt sköta alla de viktigaste funktionerna på håll. För att kunna fungera optimalt bör det vara fri sikt mellan fjärrkontroll och apparat. Om apparaten inte reagerar på kommandon kan det vara för att "sikten" är skyddad av något.

De flesta av knapparna på fjärrkontrollen har sin motsvarighet på fronten av apparaten och fungerar på samma sätt. Ett par funktioner finns dock bara på fjärrkontrollen. Dessa är programmeringsfunktionerna och siffertangenterna.

POWER ON

Tryck på den gröna knappen för att sätta på spelaren från Standby-läget. Nu ändrar lysdioden färg från orange till grönt, och displayen tänds.

POWER OFF

Tryck på denna röda knappen för att stänga av spelaren till Standby-läge från ON. Lysdioden ändrar färg från grönt till orange och displayen släcks.

SIFFERTANGENTER

En extra funktion på fjärrkontrollen är siffertangenterna. Här kan man lätt slå in numret på önskat spår direkt. För att lyssna på spår 5, tryck på "5", vill du lyssna på låt 23, tryck +10, +10, 3.

PROGRAMMERING

På C 521BEE finns det en funktion för att programmera in avspelningsordning för upp till 20 spår. Så här gör du för att programmera in önskade spår i spelarens minne:

1. Tryck på PROGRAM. "MEMORY" indikatorn tänds. I displayen visas "Pr p:01", vilket betyder att spelaren väntar på den första inmatningen.
2. Använd SKIP eller siffertangenterna för att välja första spår i din önskade låtordning. Valt spårnummer blinkar i displayen.
3. Tryck PROGRAM för att lagra ditt valda spår i minnet. Displayen återgår till att visa inmatningsläget och visar "Pr p:02", vilket innebär att den väntar på den andra inmatningen.
4. Repetera steg 2 och 3 för att välja andra spår och lagra dem i minnet, upp till maximalt 20 spår. Displayen visar "FULL" när 20 spår lagrats.
5. Om du vill gå igenom eller göra ändringar bland dina programmerade spår trycker du PROGRAM upprepade gånger för att bläddra igenom dem. När du nått det sista spåret kan du lägga in fler spår genom steg 2 och 3.
6. För att spela upp lagrade spår trycker du på PLAY. "PROGRAM" och "MEMORY" visas i displayen för att visa att det spelas ett programmerat avsnitt. Medan du har ett programmerat avsnitt kommer SKIP knapparna enbart att komma åt spåren som programmerats. Om du bara vill spela en del av det inprogrammerade spåret trycker du på PLAY och SKIP ►►| för att hoppa över de programmerade spåren du inte vill höra.
7. För att avbryta avspelningsordningen trycker du på STOP. De lagrade spåren finns dock kvar i minnet om du vill spela dem igen. Om du vill ändra på ditt urval trycker du på PROGRAM flera gånger för att gå igenom listan och göra ändringar. För att lägga till spår trycker du på PROGRAM knappen till du kommer till den sista programplatsen.
8. För att radera urvalet trycker du på STOP två gånger, OPEN/CLOSE knappen eller stänga av spelaren.

Följande exempel visar ett steg-för-steg exempel på hur man programmerar och startar avspelningsordningen av de valda spåren 5, 23, 9, 16, och 1.

Från Stop:

Tryck på fjärrkontrollen	Display
PROGRAM	Pr p:01
5	5 p:01
PROGRAM	Pr p:02
+10, +10, 3	23 p:02
PROGRAM	Pr p:03
9	9 p:03
PROGRAM	Pr p:04
+10, 6	16 p:04
PROGRAM	Pr p:05
1	1 wp:05
PROGRAM	Pr p:06
PLAY	

Musikkalendern visar de valda spåren.

DELETE

CD-spelaren C 521BEE har en funktion som gör att man kan radera oönskade spår från spelordningen i önskad ordning. För att radera spåren gör du som beskrivs nedan.

I Program-läget:

1. Tryck på DELETE. Display visar "dE d:01". Spelaren är redo för att radera det första spårnumret. "dE" Ändras till det första memorerade spåret efter 1 sekund.
2. Använd ◀◀ & ▶▶ tangenterna för att välja vilket spår du vill radera. Det önskade spåret blinkar.
3. Tryck på DELETE igen och spåret raderas ur minnet och i displayen som visar nästa spår. Detta för att visa att spelaren är redo att radera nästa spår. Det går att radera maximalt 25 spår.
4. Upprepa steg 2 och 3 för att radera de spårnummer du vill.
5. För att spela de kvarvarande spåren trycker du på PLAY. Under avspelningsordningen kommer SKIP-knapparna bara att fungera på de spår som är kvar i listan i displayen. De raderade spåren visas inte.
6. För att radera minnet trycker du på OPEN/CLOSE för att öppna släden eller stänga av apparaten.

I Stopp-läget:

1. Tryck på DELETE. Display visar "dE d:01" med total speltid. Spelaren är redo för att radera det första spårnumret.
2. Använd siffertangenterna för att välja vilka spår du vill radera. Det önskade spåret raderas och försvinner ifrån musikkalendern i displayen och den nya totala speltiden visas i displayen.
3. Upprepa steg 2 för att välja de spårnummer du vill radera, upp till maximalt 25 stycken.
4. För att spela de kvarvarande spåren trycker du på PLAY. Under avspelningsordningen kommer SKIP-knapparna bara att fungera på de spår som är kvar i listan i displayen. De raderade spåren visas inte.
5. För att radera minnet trycker du på OPEN/CLOSE för att öppna släden eller stänga av apparaten.

Musikkalendern visar de återstående spåren. Efter att alla spåren spelats kommer C 521BEE automatiskt att stoppa, och displayen kommer att visa alla spåren på skivan igen.

OBSERVERA: I programmeringsläget fungerar SKIP ◀◀ och ▶▶ knapparna så att man kan "bläddra runt", det vill säga att när man bläddrar förbi det sista spåret kommer man direkt till det första.

BATTERIER

Batterifacket på baksidan av fjärrkontrollen rymmer två 1,5 volts batterier av typ AAA (UM-4 eller IEC R03). Vi rekommenderar att du använder Alkaliska batterier för att de har den längsta livstiden och att de inte läcker. För att öppna batteriluckan, placerar man ett finger i den försänkta delen och trycker upp luckan på baksidan av fjärrkontrollen. Luckan till batterierna glider då upp och av. Tag ur de gamla och sätt i nya.

När du byter batterier så försäkra dig om att de sätts i åt rätt håll så som visas i botten på batterifacket. I vissa fall kan dålig funktion bero på att batterikontakterna är smutsiga eller korroderade. Rengör då batterikontakterna och prova igen.

CD-R & CD-RW AUDIO SKIVOR

C 521BEE kan spela CD-R audio skivor som spelats in på en dator eller inspelningsbar CD-spelare. Tänk dock på att kvaliteten varierar mycket på dessa skivor och det påverkar förmågan för CD-spelare att kunna läsa av dem.

Följande faktorer kan påverka spelbarheten:

- Kvaliteten på själva skivan. Skivor från kända leverantörer ger ofta ett bättre resultat än omärkta "no name" skivor.
- Kvaliteten på CD-brännaren eller den inspelningsbara CD-spelaren. Vissa brännare/spelare ger ett bättre resultat än andra.
- Vilken hastighet skivan är bränd med. Oftast blir det bättre kvalitet på en skiva som bränts på lägre hastighet än högre.

VILKA SKIVOR KAN SPELAS

Denna CD-spelare är enbart framtagen för att återge material innehållande musik, på CD, CD-R, och CD-RW skivor inspelade med 16 bitar 44.1 kHz PCM CD-format. Den kan inte spela skivor med andra format eller skivor med data eller bilder.

VARNING: Om man försöker spela skivor med annat innehåll kan detta orsaka skador på avspelningsutrustningen.

UNDERHÅLL

Då och då kan skivsläden torkas ren från damm.

HANTERING OCH FÖRVARING AV CD-SKIVOR

CD-skivor bör hanteras varsamt. Håll CD-skivorna i centrumhålet och kanten med tumme och pekfinger och undvik att beröra skivans blanka avspelnings sida. När en skiva är färdigspelad bör du lägga tillbaka den i dess fodral. Skivorna spelas genom att en laserstråle söker av skivans blanka sida. Denna sida bör ej vara för smutsig eller repig, då kan spelaren få svårt att läsa informationen. NADs CD-spelare har en ovanligt effektiv spårningsförmåga och god felkorrigering, men för stora skador eller märken kan orsaka felspårning eller avbrott i musiken.

RENGÖRING AV CD-SKIVOR

Alla CD-spelare har svårt att läsa dammiga, smutsiga och skadade skivor. Små repor och fingeravtryck kan spelarna oftast klara av att läsa igenom men större märken kan få avspelningsmekanismen att hacka och hoppa eller stanna helt. Om det skulle hända bör du ta ut skivan och kontrollera om den är skadad eller smutsig. Rengör en skiva genom att torka av den med en ren, mjuk trasa från mitten rakt ut. Torka aldrig runt en skiva. Om skivan skulle vara hårt smutsad kan den tvättas med en mild tvållösning. Använd inte lösningsmedel eller medel avsedda för LP-skivor.

OM SJÄLVA LASERN

En CD-spelare innehåller en halvledardiod laser monterad i en servostyrd spårningsmekanism. Lasern belyser spåren i skivan vilka sedan läses av en fotodiod. Den digitala dataströmmen omvandlas sedan till en analog vågform i två stereokanaler. Man kan inte se laserljuset med blotta ögat då den arbetar på en våglängd av 780 nanometer vilket är infrarött ljus vilket det mänskliga ögat inte kan se.

En CD-spelare är ofarlig för barn att använda. Lasern arbetar med väldigt låg effekt och är täckt inne i spelarens chassi. Även en spelare med locket avmonterat är ofarlig då lasern fokuserar endast en millimeter från linsen och sprids sedan och kan inte skada ögonen.

FELSÖKNING		
Problem	Orsak	Lösning
INGEN SPÄNNING	<ul style="list-style-type: none">• Nätkabeln är inte inkopplad eller spelaren inte påslagen	<ul style="list-style-type: none">• Kontrollera om sladden sitter i och spelaren påslagen
SKIVAN STARTAR INTE	<ul style="list-style-type: none">• Skivan ilagd upp och ner.• Skivan är smutsig	<ul style="list-style-type: none">• Lägg i skivan med etikettsidan uppåt.• Rengör skivan
INGET LJUD	<ul style="list-style-type: none">• Felaktig inkoppling av signalkablar.• Handhavandefel av förstärkaren	<ul style="list-style-type: none">• Anslut CDn rätt till förstärkaren• Se till att rätt ingång valts på förstärkaren
LJUDET "HOPPAR"	<ul style="list-style-type: none">• Spelaren utsätts för vibrationer eller mekaniska stötar.• Skivan är smutsig	<ul style="list-style-type: none">• Flytta på spelaren.• Rengör skivan
ETT BRUMMANDE LJUD HÖRS	<ul style="list-style-type: none">• Lös kabelanslutning	<ul style="list-style-type: none">• Kontrollera kablarna och dess anslutningar
FJÄRRKONTROLLEN FUNGERAR EJ	<ul style="list-style-type: none">• Batterierna slut, eller felaktigt isatta• IR sändaren eller mottagaren skyddas• IR mottagaren utsatt för direkt solljus eller stark	<ul style="list-style-type: none">• Kontrollera eller byt batterierna• Flytta hindret• Flytta apparaten så att den inte står i solen, ändra belysningen



www.NADelectronics.com

**©2003 NAD ELECTRONICS INTERNATIONAL
A DIVISION OF LENBROOK INDUSTRIES LIMITED**

All rights reserved. No part of this publication may be reproduced, stored or transmitted in any form without the written permission of NAD Electronics International

C 521BEE Manual 06/03 Printed in The People's Republic Of China